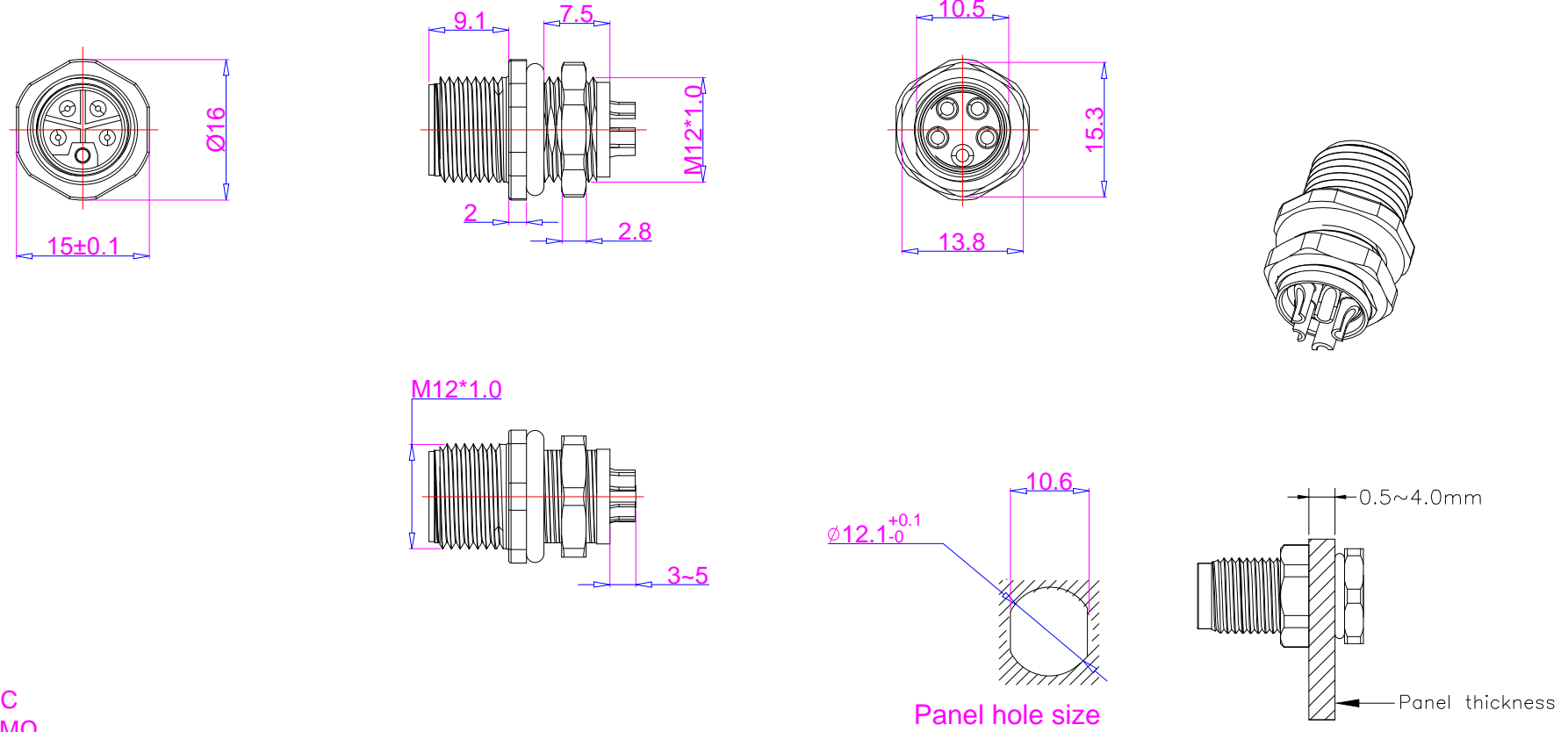


MOLD NO RFQ NO.: XXXXXX

REV.	DESCRIPTION	APPD.	DATE
A	INITIAL RELEASED	WANG	04/24/19'

Click the website to view the official website information
<http://www.jh-com.com> <http://connectors-cable.com>



Electrical Character:
 Rating voltage: 600V AC/DC
 Insulation resistance: >100MΩ
 Rating current: 10A
 Contact resistance: ≤5mΩ

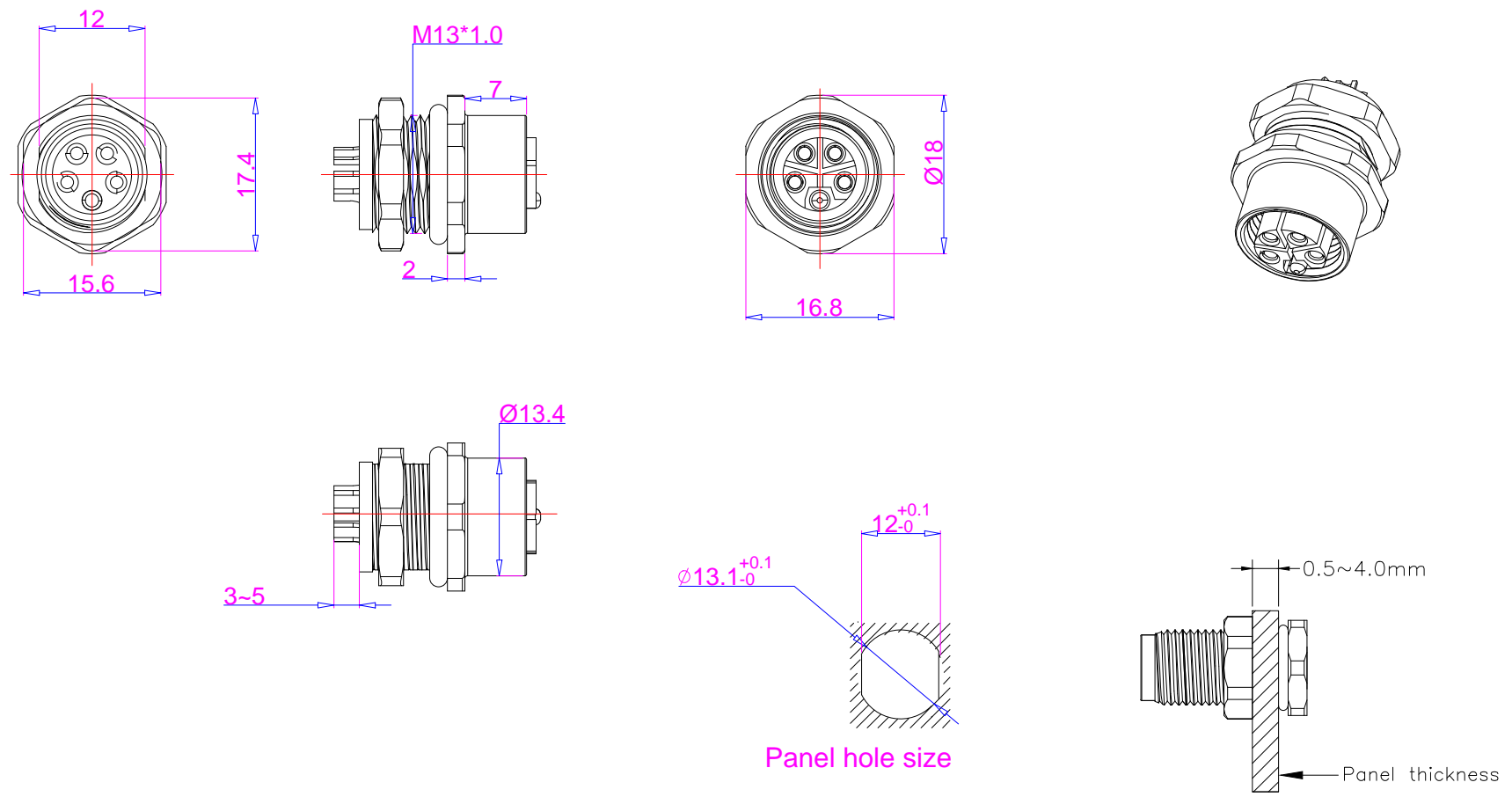
General Information:
 Standard: IEC 61076-2-101
 Connector Body: PA66+GF
 Contacts: Phosphorus brass with Gold plating
 Connector Locking System: Screw-locking
 POM surface knurling
 (Ambient Temperature: -25°C~+85°C)
 Waterproof Rating: IP67/IP68

<http://www.jh-com.com> <http://connectors-cable.com>

UNDECLARED TOLERANCE		CUS P/N:	骏慧兴业科技有限公司 Shenzhen JH-C Precision Technology CO		
X.±1.0	X.°±2.0°				
.X±0.5	.X°±1.0°				
.XX±0.2	.XX°±0.5°	PART NO.:	TITLE:		
UNITS: MM		92096-01	M12/M 5Pin L Panel Connector		
THESE DRAWINGS AND SPECIFICATIONS ARE THE PROPERTY OF JH-COM AND SHALL NOT BE REPRODUCED, COPIED OR USED IN ANY MANNER WITHOUT THE PRIOR WRITTEN CONSENT OF JH-COM.		APPD.:	DWG NO.:		
		CHKD.:	SCALE	SHEET	REV.
		DR.: HWJ_03/11/18'			

ITEM	PART NAME	DESCRIPTION	QTY
------	-----------	-------------	-----

Click the website to view the official website information
<http://www.jh-com.com> <http://connectors-cable.com>



Electrical Character:
 Rating voltage: 600V AC/DC
 Insulation resistance: >100MΩ
 Rating current: 10A
 Contact resistance: ≤5mΩ

General Information:
 Standard: IEC 61076-2-101
 Connector Body: PA66+GF
 Contacts: Phosphorus brass with Gold plating
 Connector Locking System: Screw-locking
 POM surface knurling
 (Ambient Temperature: -25°C~+85°C)
 Waterproof Rating: IP67/IP68

<http://www.jh-com.com> <http://connectors-cable.com>

UNDECLARED TOLERANCE		CUS P/N:	骏慧兴业科技有限公司 Shenzhen JH-C Precision Technology CO			
X.±1.0	X.°±2.0°					
.X±0.5	.X°±1.0°					
.XX±0.2	.XX°±0.5°	PART NO.: 92098-01	TITLE: M12/M5 Pin L Panel Connector			
UNITS: MM		APPD.:	DWG NO.:			
THESE DRAWINGS AND SPECIFICATIONS ARE THE PROPERTY OF JH-COM AND SHALL NOT BE REPRODUCED, COPIED OR USED IN ANY MANNER WITHOUT THE PRIOR WRITTEN CONSENT OF JH-COM.		CHKD.:		SCALE	SHEET	REV.
		DR.: HWJ_03/11/18'		1:1	1/1	A

ITEM	PART NAME	DESCRIPTION	QTY
------	-----------	-------------	-----

