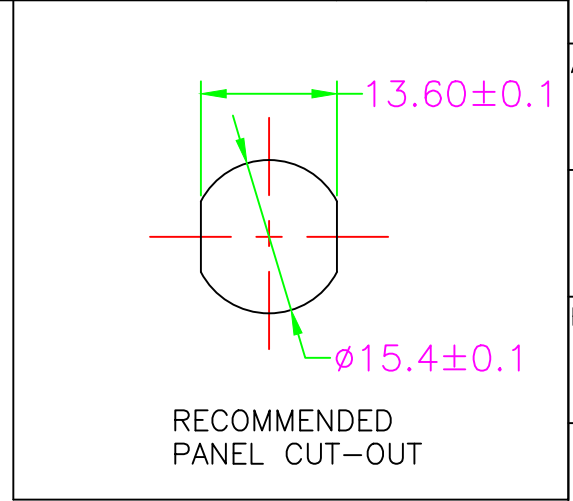
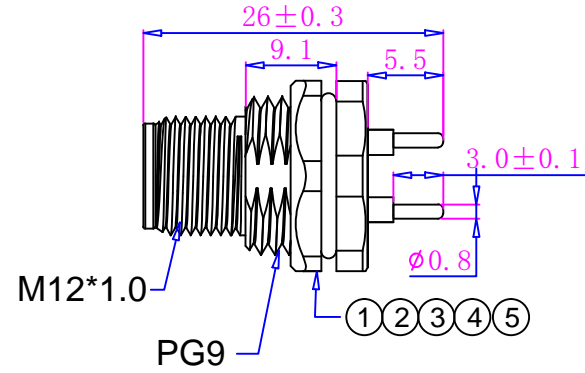
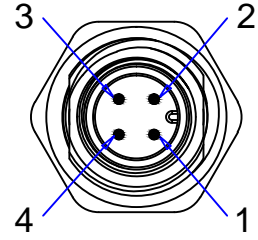


MOLD NO. RFQ NO.: XXXXXX

Click the website to view the official website information
<http://www.jh-com.com> <http://connectors-cable.com>

REV.	DESCRIPTION	APPD.	DATE
A	INITIAL RELEASED	WANG	04/24/19'



Detailed Product Description:
 Waterproof connector rating is IP67/IP68
 Protected from dust and water during immersion,
 resistant to many oils and chemical etc
 Electrical character
 Rating voltage: 250V AC/DC ,
 Insulation resistance: >100MΩ
 Rating current : 4A
 Contact resistance of the connector≤10 mΩ
 Other Specification
 Contact PIN: BRASS with Gold plating 10U".
 Coupling nut/screw: Brass with nickel plating
 Insulation plastic: PA66+GF
 Degree of protection: IP67/IP68
 Operating temperature: -25° C ~ +85° C
 *ALL MATERIALS ARE RoHS COMPLIANT.

Click the website to view the official website information
<http://www.jh-com.com> <http://connectors-cable.com>

⑤	GL00002	Black glue A/B (ethoxyline resin)	1	g
④	OR00008	O-Ring GREEN VITON Ø13.0*Ø2.0mm	1	PCS
③	NU00010	BRASS PLATED NI L*W=4*19mm	1	PCS
②	WK00056	M12 BRASS WITH NI PLATED,FEMALE FRONT MOUNT MPG9 L=20.8mm	1	PCS
①	N/A	M12 A Coding 4pin male connector short style	1	PCS

UNDECLARED TOLERANCE		CUS P/N:		骏慧兴业科技有限公司 Shenzhen JH-C Precision Technology CO		
X. ±1.0	X. ° ±2.0°	PART NO. : WHZH0040003		TITLE: BO 数据线		
.X±0.5	.X° ±1.0°					
.XX±0.2	.XX° ±0.5°	APPD. :		DWG NO. :		
UNITS: MM		CHKD. :		SCALE SHEET REV. 1:1 1/1 A		
THESE DRAWINGS AND SPECIFICATIONS ARE THE PROPERTY OF JH-COM AND SHALL NOT BE REPRODUCED, COPIED OR USED IN ANY MANNER WITHOUT THE PRIOR WRITTEN CONSENT OF JH-COM.		DR. : HWJ_03/11/18'				

ITEM	PART NAME	DESCRIPTION	QTY
------	-----------	-------------	-----