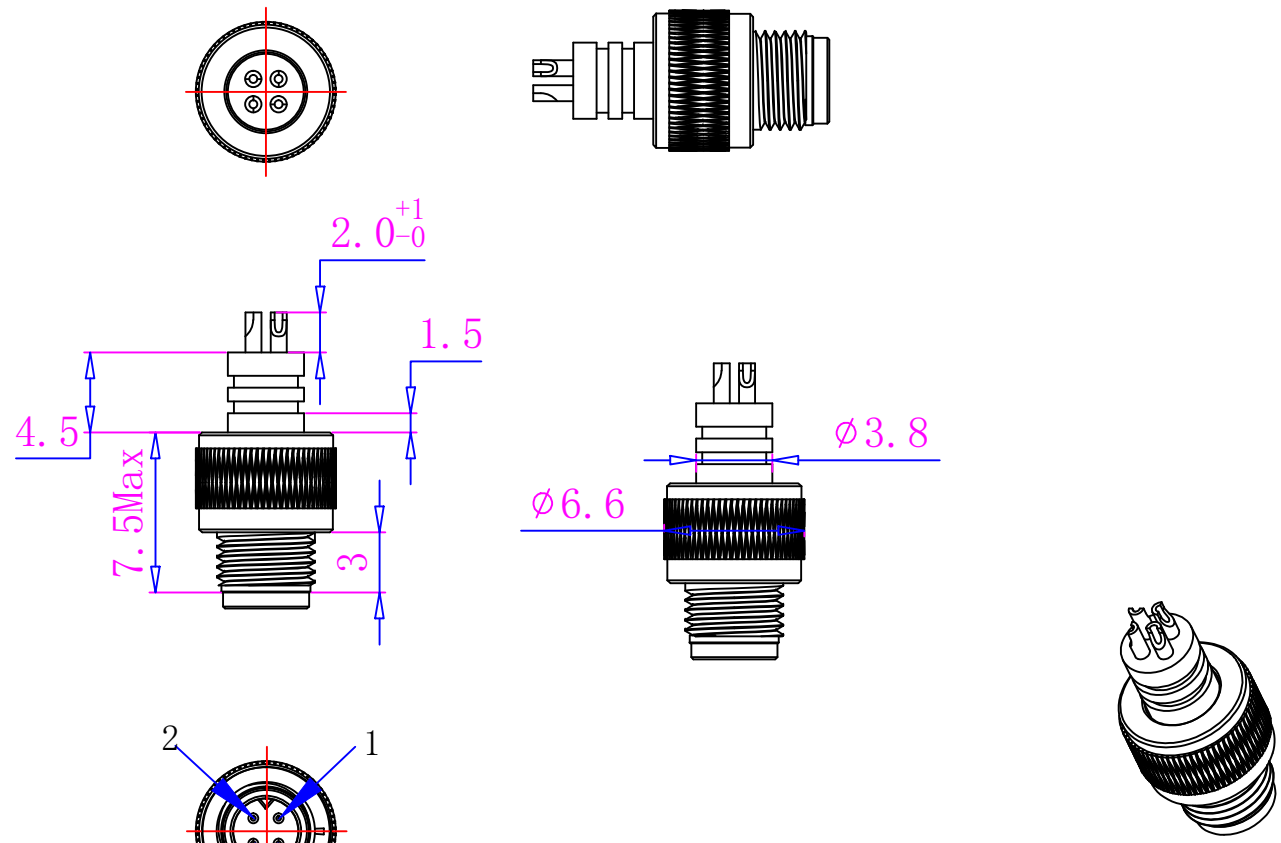
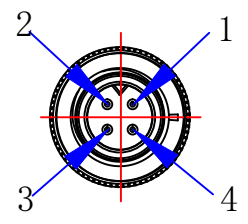


MOLD NO. RFQ NO.: XXXXXX

REV.	DESCRIPTION	APPD.	DATE
A	INITIAL RELEASED	WANG	08/18/18'



Electrical Character
 Rating voltage: 30V AC/DC
 Insulation resistance: >100M Ω
 Rating current: 1A
 Contact resistance: $\leq 5m\Omega$
 General Information
 Standard: IEC 61076-2-105
 Connector Body: PA66+GF
 Contacts: Brass with gold plated
 Connector Locking System: Screw-locking
 Waterproof Rating: IP67/IP68



<http://www.jh-com.com>

UNDECLARED TOLERANCE		CUS P/N:	骏慧兴业科技有限公司 Shenzhen JH-C Precision Technology CO			
X. ± 1.0	X. ° $\pm 2.0^\circ$					
.X ± 0.5	.X ° $\pm 1.0^\circ$					
.XX ± 0.2	.XX ° $\pm 0.5^\circ$	PART NO.: 92088-01	TITLE: M5 Male - 4 pins			
UNITS: MM		APPD.:	DWG NO.:			
THESE DRAWINGS AND SPECIFICATIONS ARE THE PROPERTY OF JH-C AND SHALL NOT BE REPRODUCED, COPIED OR USED IN ANY MANNER WITHOUT THE PRIOR WRITTEN CONSENT OF JH-C.		CHKD.:		SCALE	SHEET	REV.
		DR.: HWJ_08/18/18'		1:1	1/1	A

ITEM	PART NAME	DESCRIPTION	QTY
1			