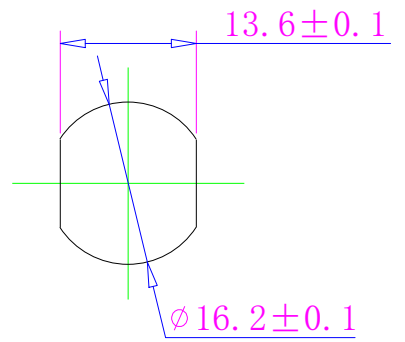
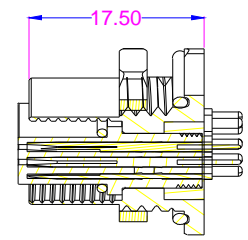
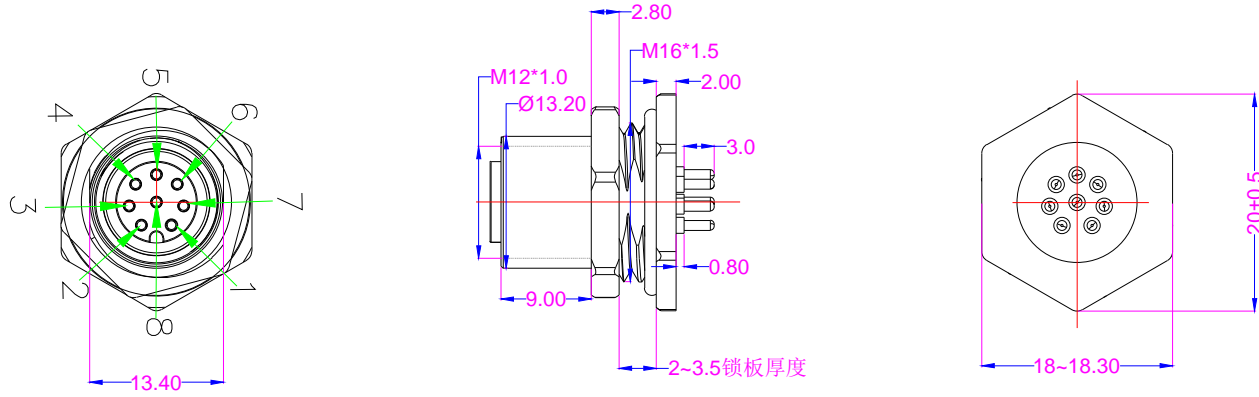


MOLD NO. RFQ NO.: XXXXXX

REV.	DESCRIPTION	APPD.	DATE
A	INITIAL RELEASED	WANG	04/24/19'



RECOMMEND
PANEL CUT-OUT

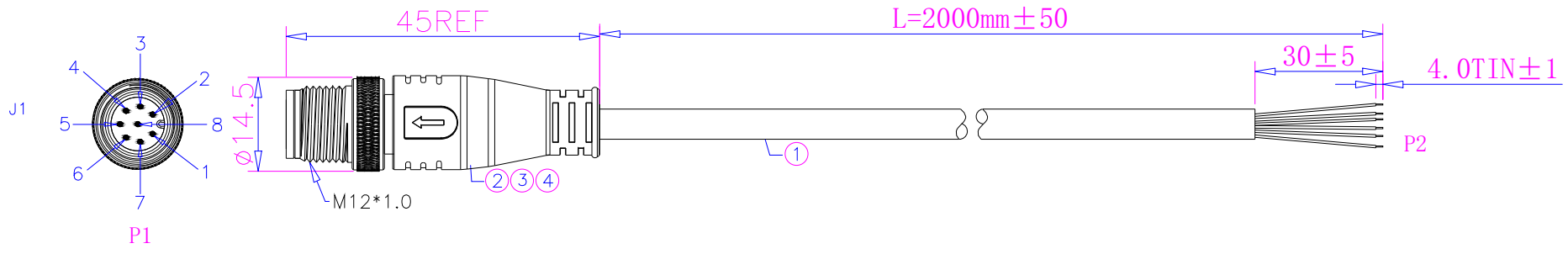
Detailed Product Description:
 Waterproof connector rating is IP67/IP68
 Protected from dust and water during immersion,
 resistant to many oils and chemical etc
 Electrical character
 Rating voltage: 30V AC/DC ,
 Insulation resistance: >100MΩ
 Rating current : 2A
 Contact resistance of the connector ≤10 mΩ
 Other Specification
 Contact PIN: Phosphor Copper with Gold plating.
 Coupling nut/screw: Brass with nickel plating
 Insulation plastic: PA66+GF
 Degree of protection: IP67/IP68
 Operating temperature: -25° C ~ +85° C

*ALL MATERIALS ARE RoHS COMPLIANT.

<http://www.jh-com.com> <http://connectors-cable.com>

UNDECLARED TOLERANCE		CUS P/N:	骏慧兴业科技有限公司		
X. ±1.0	X. ° ±2.0°	PART NO. : 91055-01	Shenzhen JH-C Precision Technology CO		
.X±0.5	.X° ±1.0°		TITLE: M12 8P/F REAR MOUNT(M16) PCB Connector		
.XX±0.2	.XX° ±0.5°		DWG NO. :		
UNITS: MM		APPD. :	SCALE		
THESE DRAWINGS AND SPECIFICATIONS ARE THE PROPERTY OF JH-COM AND SHALL NOT BE REPRODUCED, COPIED OR USED IN ANY MANNER WITHOUT THE PRIOR WRITTEN CONSENT OF JH-COM.		CHKD. :		SHEET	REV.
		DR. : HWJ_03/11/18'		1:1	1/1

ITEM	PART NAME	DESCRIPTION	QTY
------	-----------	-------------	-----



Electrical Character:
 Rating voltage: 60V AC/DC
 Insulation resistance: >100MΩ
 Rating current: 2A
 Contact resistance: ≤5mΩ

General Information:
 Standard: IEC 61076-2-101
 Connector Body: PA66+GF
 Contacts: Brass with Gold plating
 Connector Locking System: Screw-locking
 Waterproof Rating: IP67

LENGTH

Part number	L
12MTML035-400	400±20mm
12MTML035-1000	1000±30mm
12MTML035-1500	1500±40mm
12MTML035-2000	2000±40mm
12MTML035-3000	3000±40mm
12MTML035-5000	5000±50mm
12MTML035-8000	8000±100mm
12MTML035-10000	10000±100mm

Electrical Performance:
 1.100%TESTED FOR OPENS SHORTS
 2.INSULATION RESISTANCE: 5M ohm
 3.CONNECTING RESISTANCE: 5 ohm
 4.HI-POT:DC 300V 10ms

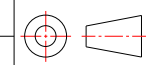
Pin Out

P1	COLOR	P1
1	白	1
2	棕	2
3	绿	3
4	黄	4
5	黑	5
6	橙	6
7	兰	7
8	红	8

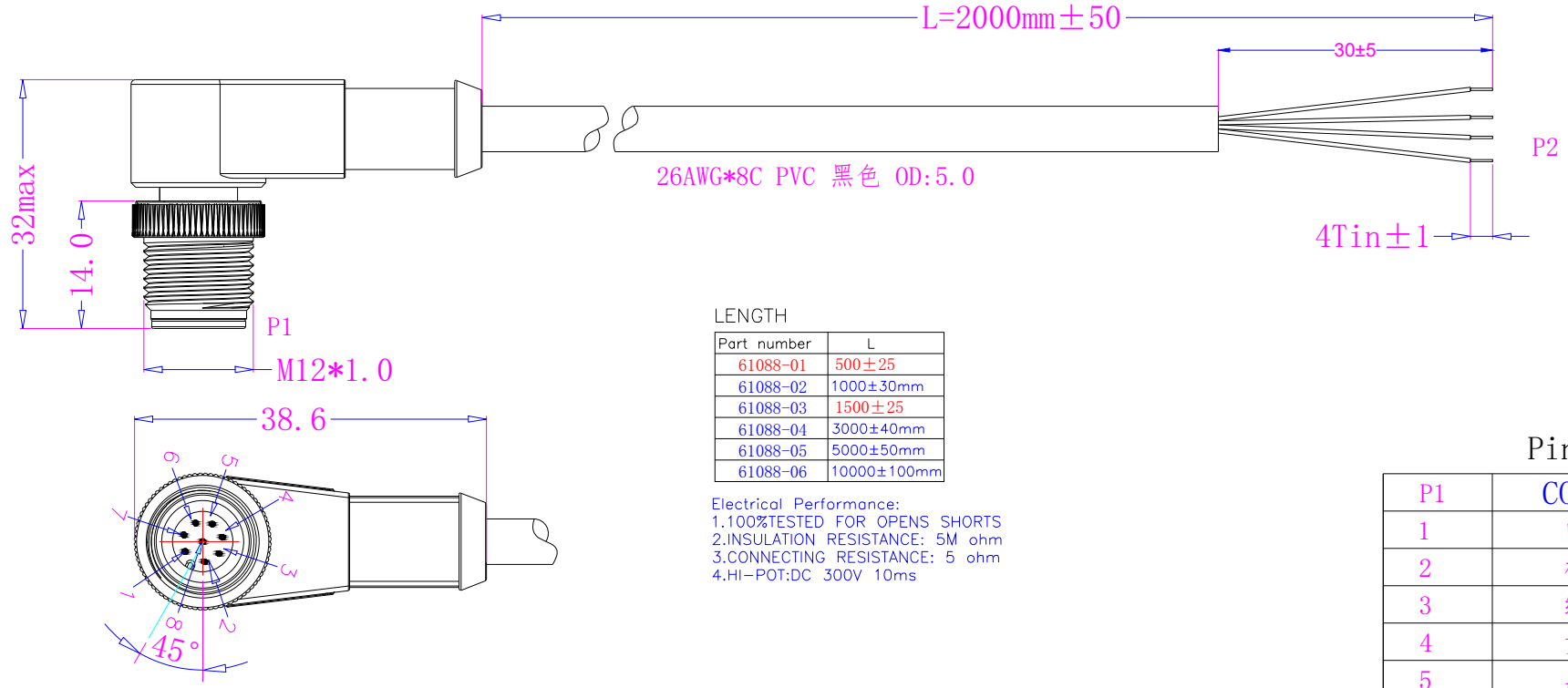
UNDECLARED TOLERANCE		CUS P/N:		骏慧兴业科技有限公司 Shenzhen JH-C Precision Technology CO		
X. ±1.0	X. ° ±2.0°					
		PART NO. : 61059-01		TITLE: M12/M CABLE 8C		
		APPD. :		DWG NO. : A00032		
		CHKD. :		SCALE SHEET REV.		
		DR. : HWJ_04/25/19'		1:1 1/1 B		

ITEM	PART NAME	DESCRIPTION	QTY
④		30P BLACK PVC -40°C~+105°C	1Set
③		Screw 14.0*14.5mm Brass with nickel plated	1Set
②		M12 A Coding 8pin male connector with shield	1Pcs
①		26AWG*8C JACKET BLACK PVC CABLE OD=6.0mm -40°C~+105°C	1Pcs

THESE DRAWINGS AND SPECIFICATIONS ARE THE PROPERTY OF JH-C AND SHALL NOT BE REPRODUCED, COPIED OR USED IN ANY MANNER WITHOUT THE PRIOR WRITTEN CONSENT OF JH-C.



<http://www.jh-com.com>



LENGTH

Part number	L
61088-01	500±25
61088-02	1000±30mm
61088-03	1500±25
61088-04	3000±40mm
61088-05	5000±50mm
61088-06	10000±100mm

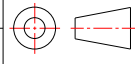
Electrical Performance:
 1.100%TESTED FOR OPENS SHORTS
 2.INSULATION RESISTANCE: 5M ohm
 3.CONNECTING RESISTANCE: 5 ohm
 4.HI-POT:DC 300V 10ms

Pin Out

P1	COLOR	P1
1	白	1
2	棕	2
3	绿	3
4	黄	4
5	黑	5
6	橙	6
7	兰	7
8	红	8

Electrical Character
 Rating voltage: 60V AC/DC
 Insulation resistance: >100MΩ
 Rating current: 2A
 Contact resistance: ≤5mΩ
 General Information
 Standard: IEC
 Connector Body: TPU
 Contacts: Brass with gold plated
 Connector Locking System: Screw-locking
 Waterproof Rating: IP67

<http://www.jh-com.com> <http://connectors-cable.com>

UNDECLARED TOLERANCE		CUS P/N:		骏慧兴业科技有限公司		
X. ±1.0	X. ° ±2.0°	PART NO. : 61090-XX		Shenzhen JH-C Precision Technology CO		
.X±0.5	.X° ±1.0°			TITLE: M12/M 90 degree right angle plug cable 8C		
.XX±0.2	.XX° ±0.5°			DWG NO. :		
UNITS: MM		APPD. :	SCALE SHEET REV.			
THESE DRAWINGS AND SPECIFICATIONS ARE THE PROPERTY OF JH-COM AND SHALL NOT BE REPRODUCED, COPIED OR USED IN ANY MANNER WITHOUT THE PRIOR WRITTEN CONSENT OF JH-COM.		CHKD. :		1:1	1/1	A
		DR. : HWJ_03/11/18'				