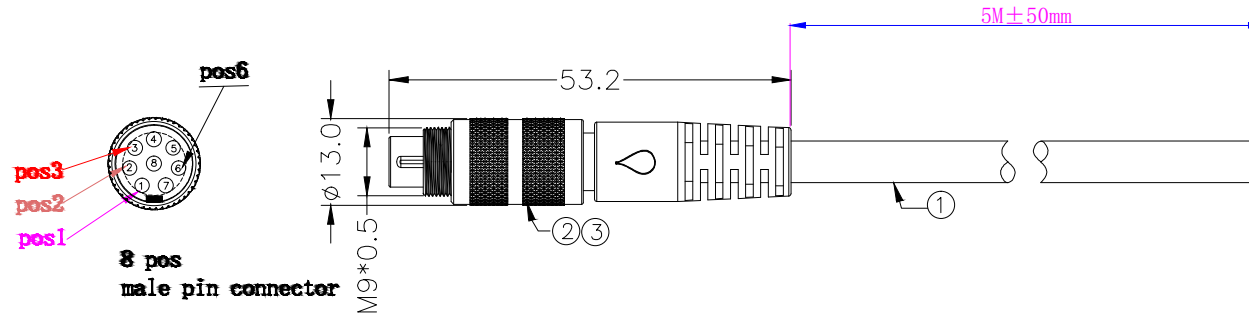


MOLD NO.		RFQ NO. : XXXXXX			REV.	DESCRIPTION	APPD.	DATE
					A	INITIAL RELEASED	WANG	04/24/19'



Detailed Product Description:
 Waterproof connector rating is IP67/IP68
 Protected from dust and water during immersion,
 resistant to many oils and chemical etc
 Connector Electrical character
 Rating voltage: 125V AC/DC ,
 Insulation resistance: >100MΩ
 Rating current : 3A
 Contact resistance ≤3mΩ
 Other Specification
 Contact PIN: Brass with Gold plating.
 Coupling nut/screw: Brass with nickel plating
 Insulation plastic: PA66+GF
 Degree of protection: IP67/IP68
 Operating temperature: -25°C ~ +85°C

*ALL MATERIALS ARE RoHS COMPLIANT.

WIRE LIST

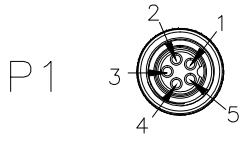
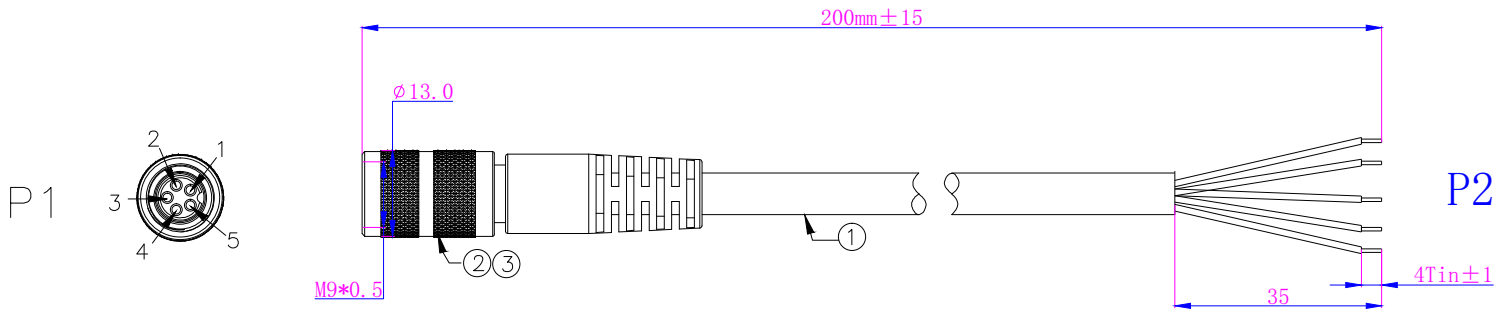
- 棕 1 ——— 1
- 黑 8 ——— 2
- 白 2 ——— 3
- 蓝 3 ——— 4

<http://www.jh-com.com> <http://connectors-cable.com>

③		BLACK TPU 105°	10	g	.X±1.0	X.° ±2.0°	CUS P/N:	骏慧兴业科技有限公司 Shenzhen JH-C Precision Technology CO				
②		M9 8P/M CONNECTOR	1	SET	.X±0.5	.X° ±1.0°					PART NO. :	TITLE: M9 TO VGA 9pin 母头防水连接线
①		24AWG*5C+AEB JACKET BLACK PUR OD=5.5mm	1	PCS	.XX±0.2	.XX° ±0.5°	61065-01	APPD. :	DWG NO. : A00039			
ITEM	PART NAME	DESCRIPTION	QTY		UNITS: MM THESE DRAWINGS AND SPECIFICATIONS ARE THE PROPERTY OF JH-C AND SHALL NOT BE REPRODUCED, COPIED OR USED IN ANY MANNER WITHOUT THE PRIOR WRITTEN CONSENT OF JH-C.		CHKD. :	DR. : HWJ_03/11/18'				
									1:1	1/1	A	

MOLD NO.		RFQ NO. : XXXXXX			REV.	DESCRIPTION	APPD.	DATE
					A	INITIAL RELEASED	WANG	04/24/19'

<http://connectors-cable.com>



PART NO. :	L(mm)
61065-01	100 ± 10
61065-02	10000 ± 300
61065-03	15000 ± 500
61065-01	
61065-01	
61065-01	

Detailed Product Description:
 Waterproof connector rating is IP67/IP68
 Protected from dust and water during immersion,
 resistant to many oils and chemical etc
 Connector Electrical character
 Rating voltage: 125V AC/DC ,
 Insulation resistance: >100MΩ
 Rating current : 3A
 Contact resistance ≤3mΩ
 Other Specification
 Contact PIN: Brass with Gold plating.
 Coupling nut/screw: Brass with nickel plating
 Insulation plastic: PA66+GF
 Degree of protection: IP67/IP68
 Operating temperature: -25°C ~ +85°C

*ALL MATERIALS ARE RoHS COMPLIANT.

WIRE LIST

P1	COLOR	P2
1	WHITE	OPEN
2	BROWN	
3	BLACK	
4	BLUE	
5	GREY	
SHELL		

<http://www.jh-com.com>

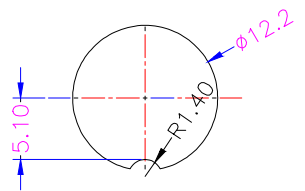
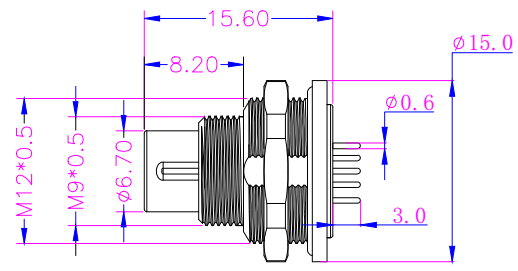
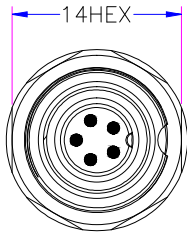
UNDECLARED TOLERANCE		CUS P/N:	骏慧兴业科技有限公司 Shenzhen JH-C Precision Technology CO			
X. ± 1.0	X. ° ± 2.0°					
.X ± 0.5	.X° ± 1.0°	PART NO. :	TITLE:			
.XX ± 0.2	.XX° ± 0.5°					61065-XX
UNITS: MM		APPD. :	DWG NO. : A00039			
THESE DRAWINGS AND SPECIFICATIONS ARE THE PROPERTY OF JH-C AND SHALL NOT BE REPRODUCED, COPIED OR USED IN ANY MANNER WITHOUT THE PRIOR WRITTEN CONSENT OF JH-C.		CHKD. :		SCALE	SHEET	REV.
		DR. : HWJ_03/11/18'		1:1	1/1	A

ITEM	PART NAME	DESCRIPTION	QTY
③	BLACK TPU 105°		10 g
②	M9 5P/M CONNECTOR		1 SET
①	22AWG*5C JACKET BLACK PUR OD=5.5mm		1 PCS

MOLD NO. RFQ NO. : XXXXXX

REV.	DESCRIPTION	APPD.	DATE
A	INITIAL RELEASED	WANG	04/24/19'

<http://connectors-cable.com>



PANEL CUT-OUT

Detailed Product Description:
 Waterproof connector rating is IP67/IP68
 Protected from dust and water during immersion,
 resistant to many oils and chemical etc
 Connector Electrical character
 Rating voltage: 125V AC/DC ;
 Insulation resistance: >100MΩ
 Rating current : 3A
 Contact resistance ≤3mΩ
 Other Specification
 Contact PIN: Brass with Gold plating.
 Coupling nut/screw: Brass with nickel plating
 Insulation plastic: PA66+GF
 Degree of protection: IP67/IP68
 Operating temperature: -25°C ~ +85°C
 *ALL MATERIALS ARE RoHS COMPLIANT.

<http://www.jh-com.com>

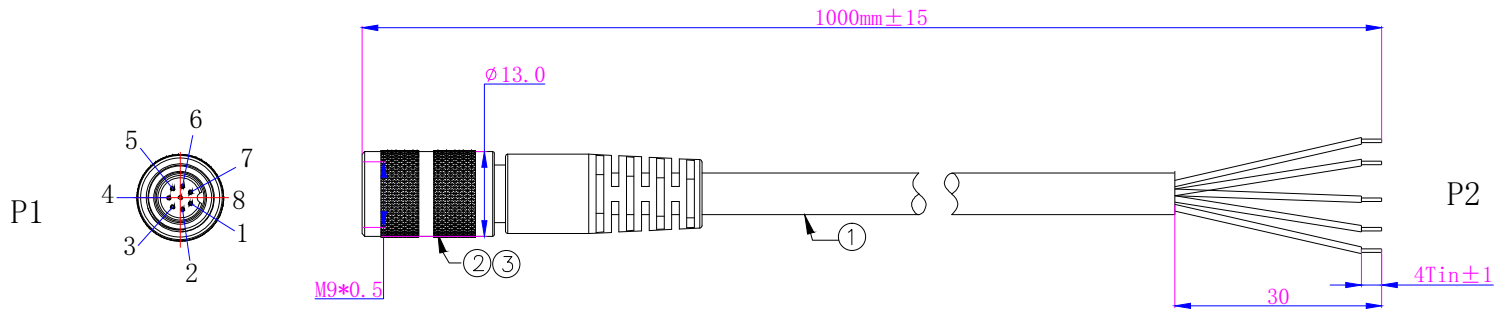
Part Number	Contacts	Rated voltage		Rated current	Contact Resistance
		AC	DC		
AS09M02001		125V	125V	4A	3mΩ
AS09M03001		125V	125V	4A	3mΩ
AS09M04001		125V	125V	3A	3mΩ
AS09M05001		125V	125V	3A	3mΩ
AS09M07001		125V	125V	1A	3mΩ
AS09M08001		125V	125V	1A	3mΩ

UNDECLARED TOLERANCE		CUS P/N:	骏慧兴业科技有限公司 Shenzhen JH-C Precision Technology CO			
X. ±1.0	X. ° ±2.0°					
.X ±0.5	.X ° ±1.0°					
.XX ±0.2	.XX ° ±0.5°	PART NO. :	TITLE:			
UNITS: MM		98079--XX	M9 PCB connector 8-core			
THESE DRAWINGS AND SPECIFICATIONS ARE THE PROPERTY OF JH-C AND SHALL NOT BE REPRODUCED, COPIED OR USED IN ANY MANNER WITHOUT THE PRIOR WRITTEN CONSENT OF JH-C.		APPD. :	DWG NO. : A00039			
CHKD. :		DR. : HWJ_03/11/18'		SCALE	SHEET	REV.
				1:1	1/1	A

ITEM	PART NAME	DESCRIPTION	QTY
------	-----------	-------------	-----

MOLD NO.		RFQ NO. : XXXXXX			REV.	DESCRIPTION	APPD.	DATE
					A	INITIAL RELEASED	WANG	04/24/19'

<http://connectors-cable.com>



PART NO. :	L(mm)
61065-01	100 ± 10
61065-02	1000 ± 300
61065-03	15000 ± 500
61065-01	
61065-01	
61065-01	

Detailed Product Description:
 Waterproof connector rating is IP67/IP68
 Protected from dust and water during immersion,
 resistant to many oils and chemical etc
 Connector Electrical character
 Rating voltage: 125V AC/DC ,
 Insulation resistance: >100MΩ
 Rating current : 3A
 Contact resistance ≤3mΩ
 Other Specification
 Contact PIN: Brass with Gold plating.
 Coupling nut/screw: Brass with nickel plating
 Insulation plastic: PA66+GF
 Degree of protection: IP67/IP68
 Operating temperature: -25°C ~ +85°C
 *ALL MATERIALS ARE RoHS COMPLIANT.

WIRE LIST

P1	COLOR	P2
	RED	OPEN
	BROWN	
	BLACK	
	BLUE	
	YELLOW	
	ORANGE	
	GREEN	
	PURPLE	

<http://www.jh-com.com>

③	PVC 45P BLACK	10	g
②	M9 8P/F CONNECTOR	1	SET
①	22 AWG*8C JACKET BLACK PVC OD:5.2	1	PCS

UNDECLARED TOLERANCE		CUS P/N:	骏慧兴业科技有限公司 Shenzhen JH-C Precision Technology CO			
X. ± 1.0	X. ° ± 2.0°					
.X ± 0.5	.X° ± 1.0°	PART NO. : 61065-XX	TITLE: M9 TO VGA 9pin 母头防水连接线			
.XX ± 0.2	.XX° ± 0.5°					
UNITS: MM		APPD. :	DWG NO. : A00039			
THESE DRAWINGS AND SPECIFICATIONS ARE THE PROPERTY OF JH-C AND SHALL NOT BE REPRODUCED, COPIED OR USED IN ANY MANNER WITHOUT THE PRIOR WRITTEN CONSENT OF JH-C.		CHKD. :		SCALE	SHEET	REV.
		DR. : HWJ_03/11/18'		1:1	1/1	A

ITEM	PART NAME	DESCRIPTION	QTY
------	-----------	-------------	-----