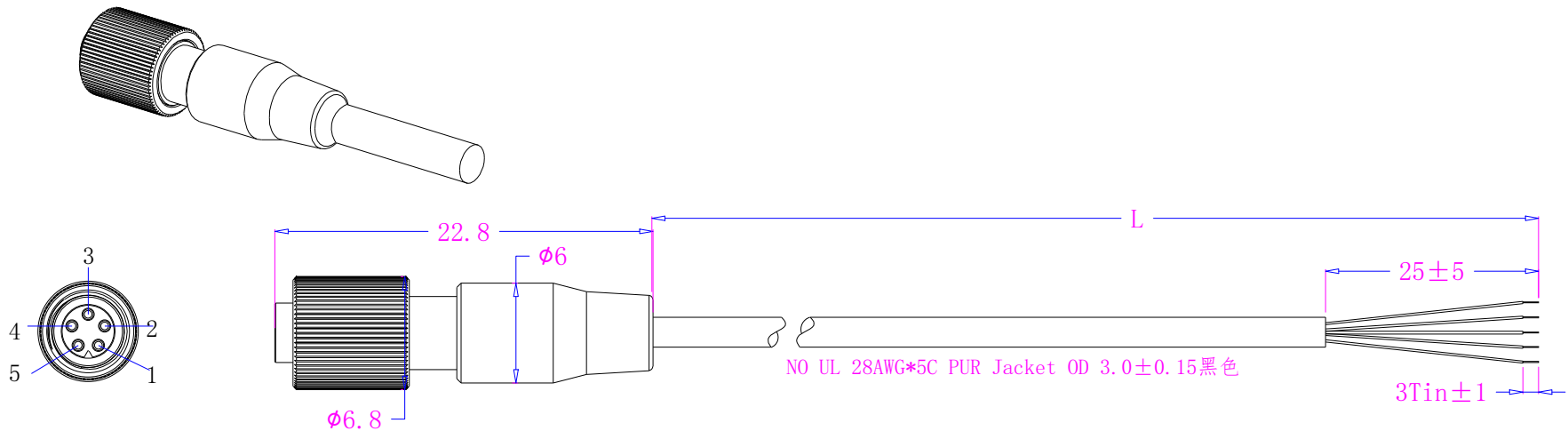


MOLD NO.	RFQ NO. : XXXXXX	REV.	DESCRIPTION	APPD.	DATE
		A	INITIAL RELEASED	WANG	04/24/19'



Pin connection mode

P1	Core color	P2
1	棕 (Brown)	1
2	白 (White)	2
3	蓝 (blue)	3
4	黑 (black)	4
5	灰 (Gray)	5

Electrical Character
 Rating voltage: 60V AC/DC
 Insulation resistance: >100MΩ
 Rating current: 1A
 Contact resistance: ≤5Ω
 General Information
 Standard: IEC
 Contacts: Phosphorus copper with gold plated
 Connector Locking System: 316F
 Ambient Temperature: -40° C~+85° C
 Waterproof Rating: IP68

<http://www.jh-com.com> <http://connectors-cable.com>

UNDECLARED TOLERANCE		CUS P/N:	骏慧兴业科技有限公司 Shenzhen JH-C Precision Technology CO		
X. ±1.0	X. ° ±2.0°				
.X±0.5	.X° ±1.0°	PART NO. : WHZH0040003	TITLE: B0 数据线		
.XX±0.2	.XX° ±0.5°				
UNITS: MM		APPD. :	DWG NO. :		
THESE DRAWINGS AND SPECIFICATIONS ARE THE PROPERTY OF JH-COM AND SHALL NOT BE REPRODUCED, COPIED OR USED IN ANY MANNER WITHOUT THE PRIOR WRITTEN CONSENT OF JH-COM.		CHKD. :	SCALE	SHEET	REV.
		DR. : HWJ_03/11/18'			

ITEM	PART NAME	DESCRIPTION	QTY
------	-----------	-------------	-----

MOLD NO.

RFQ NO. : XXXXXX

REV.

DESCRIPTION

APPD.

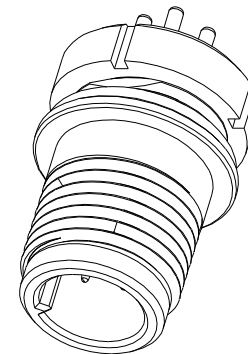
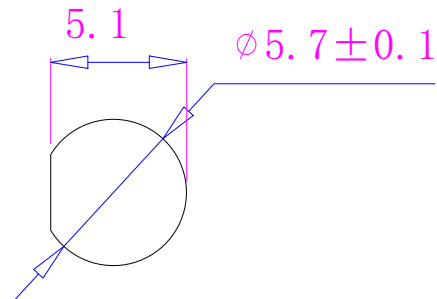
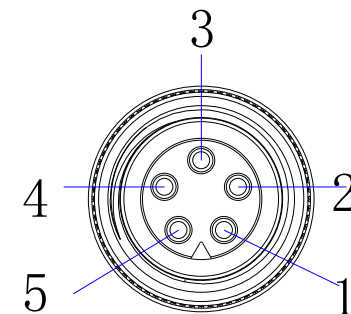
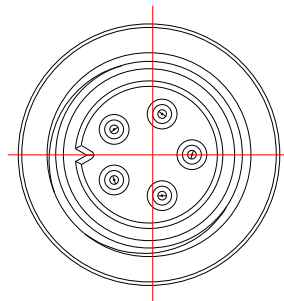
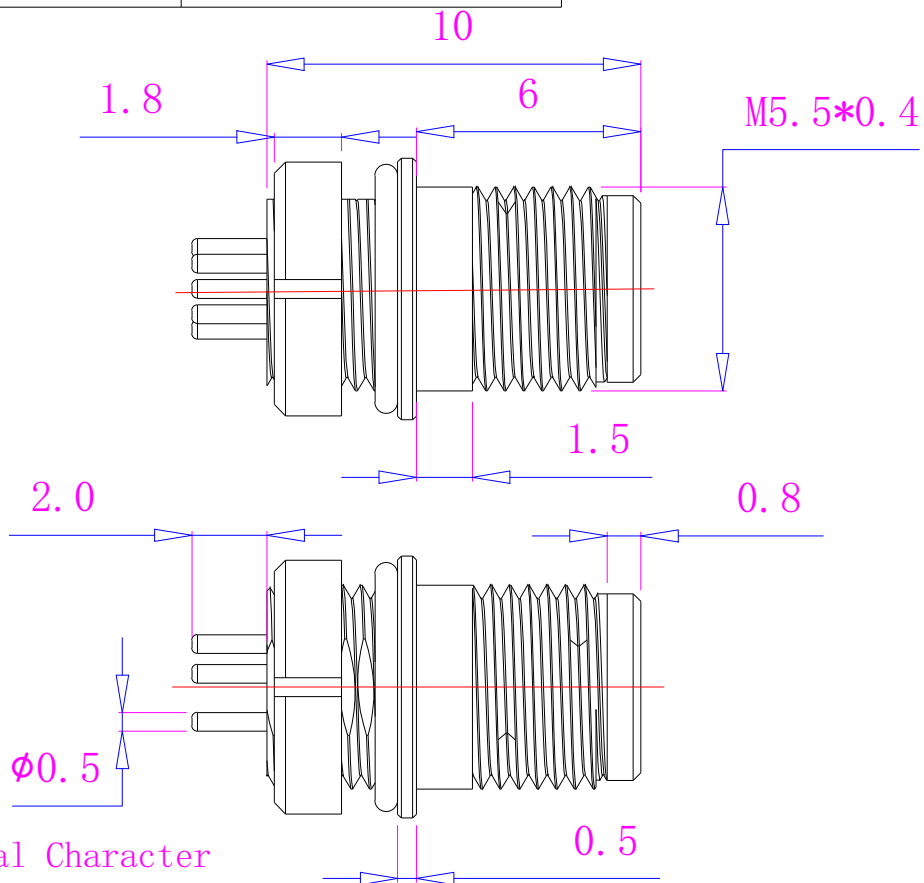
DATE

A

INITIAL RELEASED

WANG

04/24/19'



Opening size

Electrical Character

Rating voltage: 60V AC/DC

Insulation resistance: $>100M\Omega$

Rating current: 1A

Contact resistance: $\leq 5\Omega$

General Information

Standard: IEC

Contacts: Phosphorus copper with gold plated

Connector Locking System: 316F

Ambient Temperature: $-40^{\circ}C \sim +85^{\circ}C$

Waterproof Rating: IP68

<http://www.jh-com.com><http://connectors-cable.com>

UNDECLARED TOLERANCE		CUS P/N:	骏慧兴业科技有限公司			
X. ± 1.0	X. $^{\circ} \pm 2.0^{\circ}$		PART NO. : 98198-01	Shenzhen JH-C Precision Technology CO		
.X ± 0.5	.X $^{\circ} \pm 1.0^{\circ}$	TITLE:		M5.5*0.4 PCB connector 5-core		
.XX ± 0.2	.XX $^{\circ} \pm 0.5^{\circ}$	APPD. :		DWG NO. :		
UNITS: MM		APPD. :	DWG NO. :			
THESE DRAWINGS AND SPECIFICATIONS ARE THE PROPERTY OF JH-COM AND SHALL NOT BE REPRODUCED, COPIED OR USED IN ANY MANNER WITHOUT THE PRIOR WRITTEN CONSENT OF JH-COM.		CHKD. :		SCALE	SHEET	REV.
		DR. : HWJ_03/11/18'		1:1	1/1	A

ITEM PART NAME

DESCRIPTION

QTY

1

2

3

4

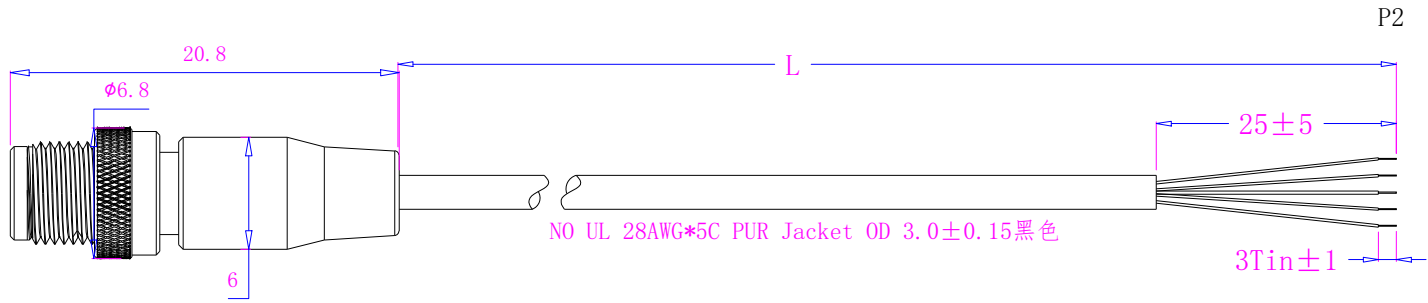
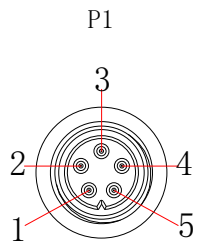
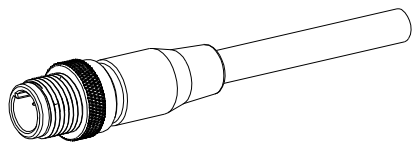
5

6

7

8

MOLD NO.		RFQ NO. : XXXXXX			REV.	DESCRIPTION	APPD.	DATE
					A	INITIAL RELEASED	WANG	04/24/19'



Pin connection mode

P1	Core color	P2
1	棕 (Brown)	1
2	白 (White)	2
3	蓝 (blue)	3
4	黑 (black)	4
5	灰 (Gray)	5

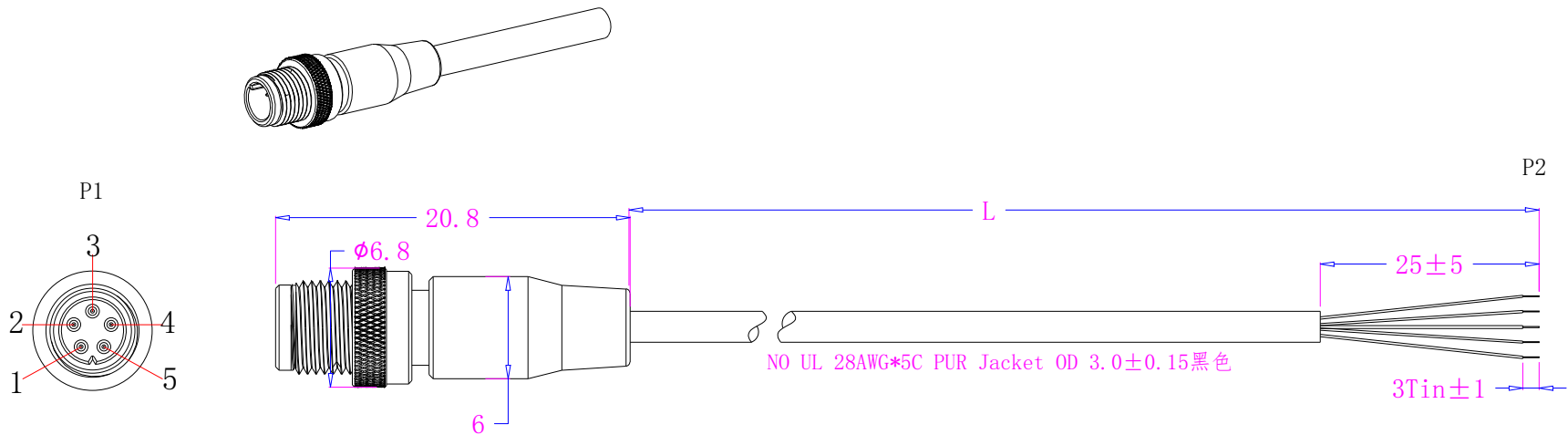
Electrical Character
 Rating voltage: 60V AC/DC
 Insulation resistance: >100MΩ
 Rating current: 1A
 Contact resistance: ≤5Ω
 General Information
 Standard: IEC
 Contacts: Phosphorus copper with gold plated
 Connector Locking System: 316F
 Ambient Temperature: -40° C~+85° C
 Waterproof Rating: IP68

<http://www.jh-com.com> <http://connectors-cable.com>

UNDECLARED TOLERANCE		CUS P/N:	骏慧兴业科技有限公司 Shenzhen JH-C Precision Technology CO			
X. ±1.0	X. ° ±2.0°					
.X±0.5	.X° ±1.0°					
.XX±0.2	.XX° ±0.5°	PART NO. : 61102-01	TITLE: M5 * 0.4 connector male 5-core cable			
UNITS: MM		APPD. :	DWG NO. :			
THESE DRAWINGS AND SPECIFICATIONS ARE THE PROPERTY OF JH-COM AND SHALL NOT BE REPRODUCED, COPIED OR USED IN ANY MANNER WITHOUT THE PRIOR WRITTEN CONSENT OF JH-COM.		CHKD. :		SCALE	SHEET	REV.
		DR. : HWJ_03/11/18'		1:1	1/1	A

ITEM	PART NAME	DESCRIPTION	QTY
1			

MOLD NO.	RFQ NO. : XXXXXX	REV.	DESCRIPTION	APPD.	DATE
		A	INITIAL RELEASED	WANG	04/24/19'



Pin connection mode

P1	Core color	P2
1	棕 (Brown)	1
2	白 (White)	2
3	蓝 (blue)	3
4	黑 (black)	4
5	灰 (Gray)	5

Electrical Character
 Rating voltage: 60V AC/DC
 Insulation resistance: >100MΩ
 Rating current: 1A
 Contact resistance: ≤5Ω
 General Information
 Standard: IEC
 Contacts: Phosphorus copper with gold plated
 Connector Locking System: 316F
 Ambient Temperature: -40° C~+85° C
 Waterproof Rating: IP68

<http://www.jh-com.com> <http://connectors-cable.com>

UNDECLARED TOLERANCE		CUS P/N:	骏慧兴业科技有限公司 Shenzhen JH-C Precision Technology CO			
X. ±1.0	X. ° ±2.0°					
.X±0.5	.X° ±1.0°					
.XX±0.2	.XX° ±0.5°	PART NO. : 61102-01	TITLE: M5 * 0.4 connector male 5-core cable			
UNITS: MM		APPD. :	DWG NO. :			
THESE DRAWINGS AND SPECIFICATIONS ARE THE PROPERTY OF JH-COM AND SHALL NOT BE REPRODUCED, COPIED OR USED IN ANY MANNER WITHOUT THE PRIOR WRITTEN CONSENT OF JH-COM.		CHKD. :		SCALE	SHEET	REV.
		DR. : HWJ_03/11/18'		1:1	1/1	A

ITEM	PART NAME	DESCRIPTION	QTY
------	-----------	-------------	-----