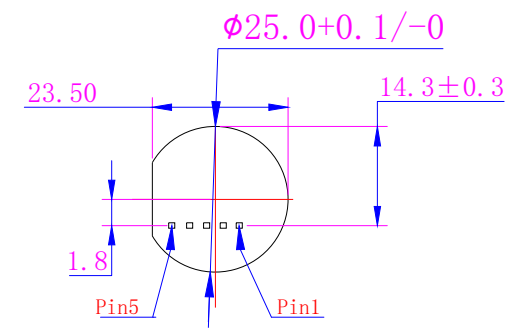
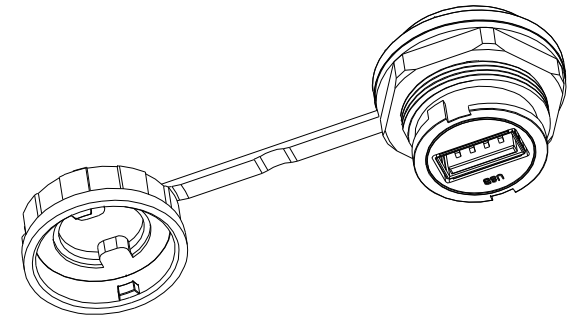
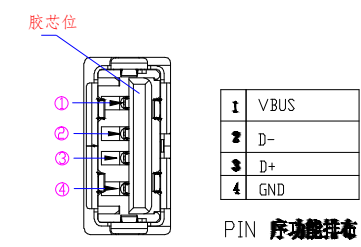
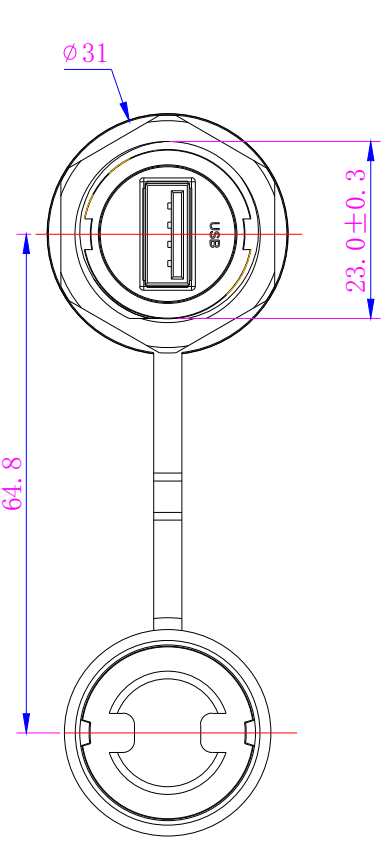
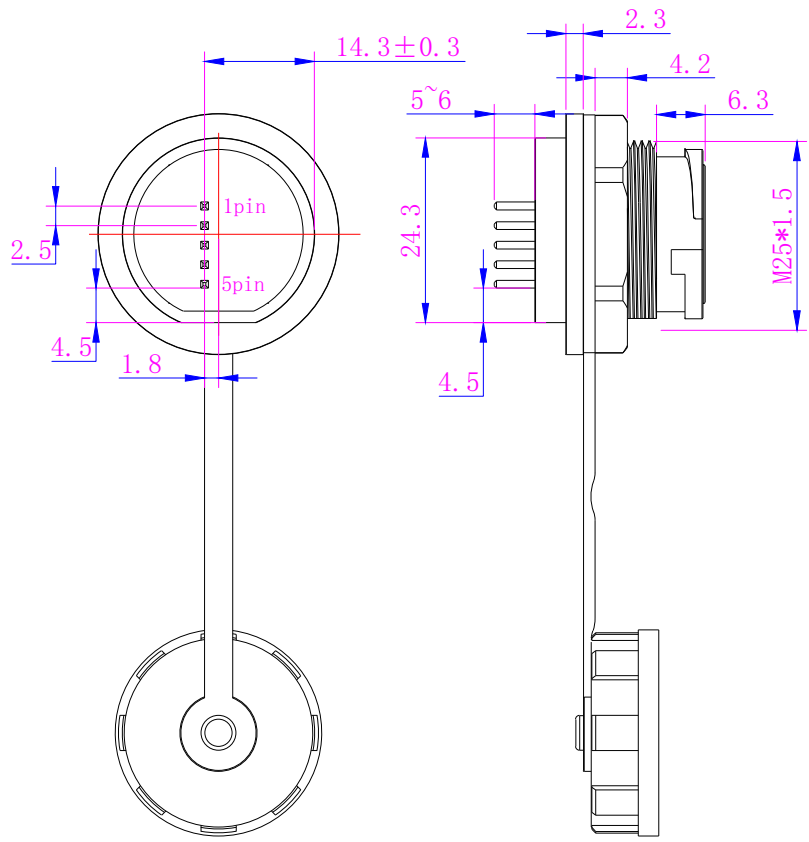


| REV. | DESCRIPTION | APPD. | DATE |
|------|------------------|-------|-----------|
| A | INITIAL RELEASED | WANG | 04/24/19' |



Electrical Character:
 Rating voltage: 30V AC/DC
 Insulation resistance: >100MΩ
 Rating current: 2A
 Contact resistance: ≤10mΩ

General Information:
 Standard: IEC 61076-2-104
 Connector Body: PA66+GF
 Contacts: Phosphorus copper with Gold plating
 Connector Locking System: Screw-locking
 Waterproof Rating: IP67/IP68

<http://www.jh-com.com>

| | | | | | | |
|---|-------------|-----------|---------------------------------------|-------|-------|------|
| UNDECLARED TOLERANCE | | CUS P/N: | 骏慧兴业科技有限公司 | | | |
| X. ±0.2 | X. ° ±2.0° | | Shenzhen JH-C Precision Technology CO | | | |
| .X ±0.1 | .X ° ±1.0° | PART NO.: | TITLE: | | | |
| .XX ±0.05 | .XX ° ±0.5° | 92077-02 | USB 2.0 A/F Connector | | | |
| UNITS: MM | | APPD.: | DWG NO.: B00062 | | | |
| THESE DRAWINGS AND SPECIFICATIONS ARE THE PROPERTY OF JH-C AND SHALL NOT BE REPRODUCED, COPIED OR USED IN ANY MANNER WITHOUT THE PRIOR WRITTEN CONSENT OF JH-C. | | CHKD.: | | SCALE | SHEET | REV. |
| | | DR.: | | 1:1 | 1/1 | A |

| ITEM | PART NAME | DESCRIPTION | QTY |
|------|-----------|-------------|-----|
| 1 | | | |
| 2 | | | |
| 3 | | | |
| 4 | | | |
| 5 | | | |
| 6 | | | |
| 7 | | | |
| 8 | | | |