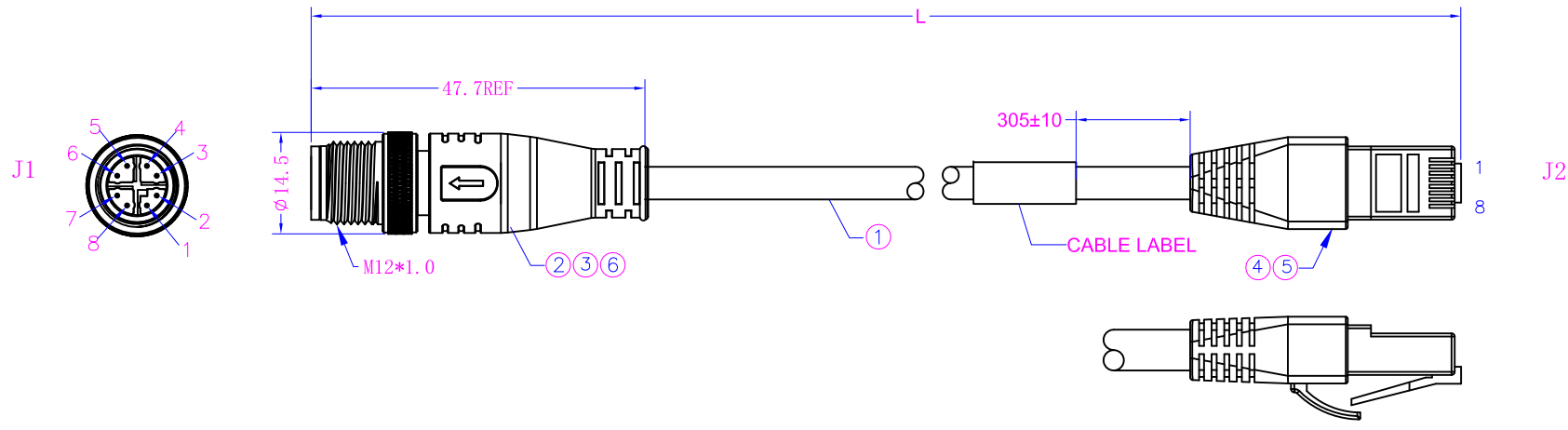


MOLD NO? RFQ NO: XXXXXX
<http://www.jh-com.com>

REV.	DESCRIPTION	APPD.	DATE
B	INITIAL RELEASED	WANG	05/05/19'



LENGTH

Part number	L
61083-400	400±20mm
61083-1000	1000±30mm
61083-1500	1500±40mm
61083-2000	2000±40mm
61083-3000	3000±40mm
61083-5000	5000±50mm
61083-8000	8000±100mm
61083-10000	10000±100mm

Electrical Performance:
 1.100%TESTED FOR OPENS SHORTS
 2.INSULATION RESISTANCE: 5M ohm
 3.CONNECTING RESISTANCE: 5 ohm
 4.HI-POT:DC 300V 10ms

Electrical Character:
 Rating voltage: 30V AC/DC
 Insulation resistance: >100MΩ
 Rating current: 2A
 Contact resistance: ≤5mΩ

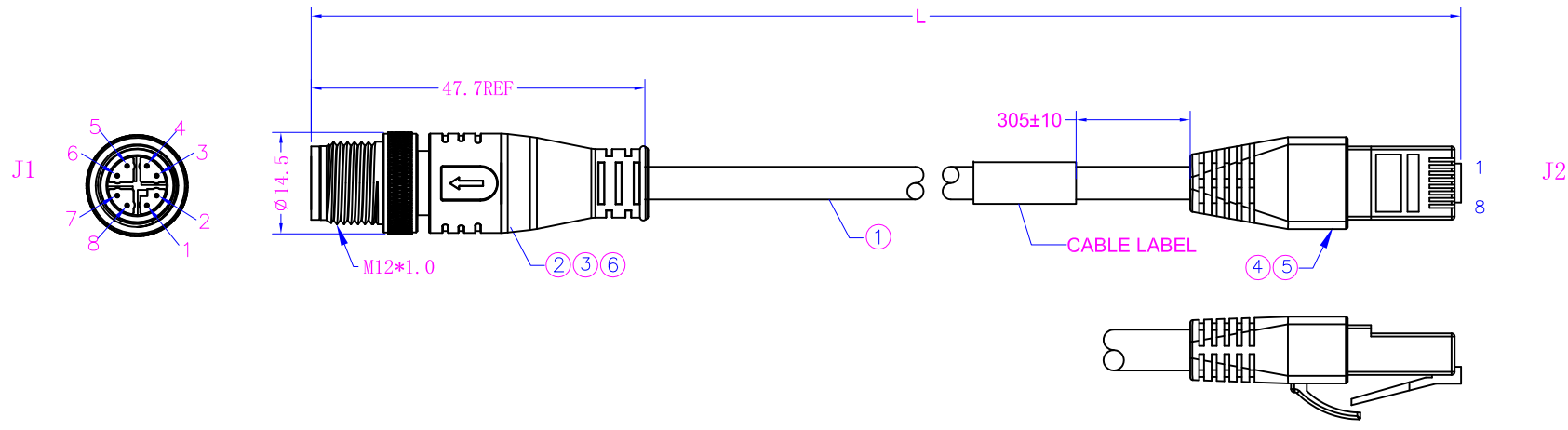
General Information:
 Standard: IEC 61076-2-101
 Connector Body: TPU
 Contacts: Brass with Gold plating
 Connector Locking System: Screw-locking
 Waterproof Rating: IP20

Pin Out

J1	Twist Pair	COLOR	J2
1	Twist Pair 1	ORANGE/WHITE	1
2		ORANGE	2
3	Twist Pair 2	GREEN/WHITE	3
4		GREEN	4
5	Twist Pair 3	BROWN/WHITE	5
6		BROWN	6
7	Twist Pair 4	BLUE/WHITE	7
8		BLUE	8
shell		shield	shell

⑥	85A BLACK TPE -40°C~+105°C	1Set	UNDECLARED TOLERANCE	CUS P/N:	骏慧兴业科技有限公司 Shenzhen JH-C Technology CO				
⑤	30P BLACK TPE -40°C~+105°C	1Set	X.±1.0	X.*±2.0°					
④	CAT6a RJ45 8P8C Plug with shield	1Set	.X±0.5	.X*±1.0°	PART NO.: 61083-XX		TITLE: M12X TO CAT5e RJ45 CABLE		
③	Screw 14.0*14.5mm Brass with nickel plated	1Set	.XX±0.2	.XX*±0.5°					
②	M12 X Coding 8pin male connector with shield	10g	UNITS: MM		APPD.:	DWG NO.: A0057			
①	CAT5e 26AWG*4P+AL+B JACKET BLACK PUR CABLE OD=6.5mm-40°C~+105°C	1Pcs	THESE DRAWINGS AND SPECIFICATIONS ARE THE PROPERTY OF JH-C AND SHALL NOT BE REPRODUCED, COPIED OR USED IN ANY MANNER WITHOUT THE PRIOR WRITTEN CONSENT OF JH-C.		CHKD.:		SCALE	SHEET	REV.
ITEM	PART NAME	DESCRIPTION			QTY		DR.:	1:1	1/1

http://www.jh-com.com



LENGTH

Part number	L
61082-400	400±20mm
61082-1000	1000±30mm
61082-1500	1500±40mm
61082-2000	2000±40mm
61082-3000	3000±40mm
61082-5000	5000±50mm
61082-8000	8000±100mm
61082-10000	10000±100mm

Electrical Performance:
 1.100%TESTED FOR OPENS SHORTS
 2.INSULATION RESISTANCE: 5M ohm
 3.CONNECTING RESISTANCE: 5 ohm
 4.HI-POT:DC 300V 10ms

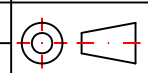
Electrical Character:
 Rating voltage: 30V AC/DC
 Insulation resistance: >100MΩ
 Rating current: 2A
 Contact resistance: ≤5mΩ

General Information:
 Standard: IEC 61076-2-101
 Connector Body: TPU
 Contacts: Brass with Gold plating
 Connector Locking System: Screw-locking
 Waterproof Rating: IP20

Pin Out

J1	Twist Pair	COLOR	J2
1	Twist Pair 1	ORANGE/WHITE	1
2		ORANGE	2
3	Twist Pair 2	GREEN/WHITE	3
4		GREEN	4
5	Twist Pair 3	BROWN/WHITE	5
6		BROWN	6
7	Twist Pair 4	BLUE/WHITE	7
8		BLUE	8
shell		shield	shell

⑥	85A BLACK TPE -40°C~+105°C	1Set	UNDECLARED TOLERANCE	CUS P/N:	骏慧兴业科技有限公司 Shenzhen JH-C Technology CO
⑤	30P BLACK TPE -40°C~+105°C	1Set	X.±1.0	X.*±2.0°	
④	CAT6a RJ45 8P8C Plug with shield	1Set	.X±0.5	.X*±1.0°	
③	Screw 14.0*14.5mm Brass with nickel plated	1Set	.XX±0.2	.XX*±0.5°	PART NO.: 61082-XX
②	M12 X Coding 8pin male connector with shield	10g	UNITS: MM		APPD.:
①	CAT6a 26AWG*4P+AL+B JACKET BLACK PUR CABLE OD=6.5mm-40°C~+105°C	1Pcs	THESE DRAWINGS AND SPECIFICATIONS ARE THE PROPERTY OF JH-C AND SHALL NOT BE REPRODUCED, COPIED OR USED IN ANY MANNER WITHOUT THE PRIOR WRITTEN CONSENT OF JH-C.		CHKD.:
ITEM	PART NAME	DESCRIPTION			QTY



SCALE 1:1
 SHEET 1/1
 REV. B