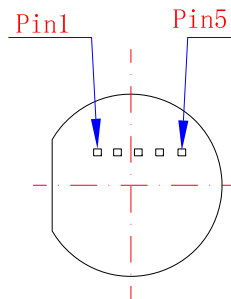
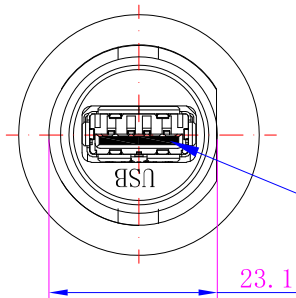
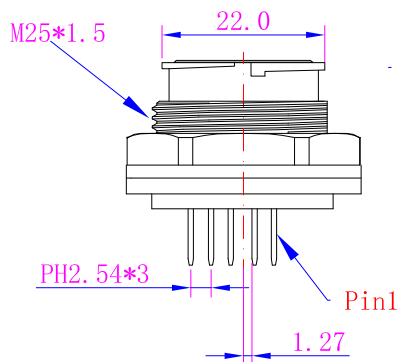


MOLD NO. RFQ NO.: XXXXXX

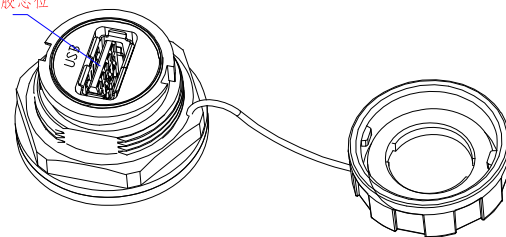
REV.	DESCRIPTION	APPD.	DATE
A	INITIAL RELEASED	WANG	04/24/19'



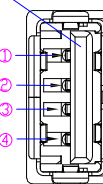
PRODUCT No.: YU-USB2-JSX-01-001
 Product Type(A~Z) Commercial Code
 Product Type: USB Follow No
 Shell structure form:
 G=with cover gasket
 E=clamping cable
 S=socket
 H=fixed cable
 R=others
 X=socket



胶芯位



胶芯位



1	VBUS
2	D-
3	D+
4	GND

PIN 序功能排布

$\phi 25.0 \pm 0.1 / -0$

Opening size



Electrical Character:
 Rating voltage: 30V AC/DC
 Insulation resistance: >100M Ω
 Rating current: 2A
 Contact resistance: $\leq 10m\Omega$

General Information:
 Standard: IEC 61076-2-104
 Connector Body: PA66+GF
 Contacts: Phosphorus copper with Gold plating
 Connector Locking System: Screw-locking
 Waterproof Rating: IP67/IP68

<http://www.jh-com.com>

UNDECLARED TOLERANCE		CUS P/N:	骏慧兴业科技有限公司		
X. ± 0.2	X. $^{\circ} \pm 2.0^{\circ}$		Shenzhen JH-C Precision Technology CO		
.X ± 0.1	.X $^{\circ} \pm 1.0^{\circ}$	PART NO.:	TITLE:		
.XX ± 0.05	.XX $^{\circ} \pm 0.5^{\circ}$	92077-01	USB 2.0 A/F Connector		
UNITS: MM		APPD.:	DWG NO.: B00063		
THESE DRAWINGS AND SPECIFICATIONS ARE THE PROPERTY OF JH-C AND SHALL NOT BE REPRODUCED, COPIED OR USED IN ANY MANNER WITHOUT THE PRIOR WRITTEN CONSENT OF JH-C.		CHKD.:	SCALE	SHEET	REV.
		DR.: HWJ_03/11/18'	1:1	1/1	A

ITEM	PART NAME	DESCRIPTION	QTY
------	-----------	-------------	-----

MOLD NO.

RFQ NO.: XXXXXX

REV.

DESCRIPTION

APPD.

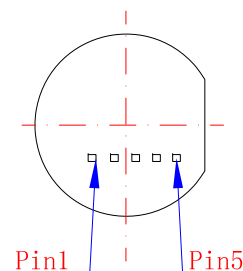
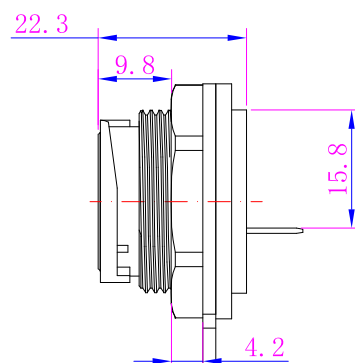
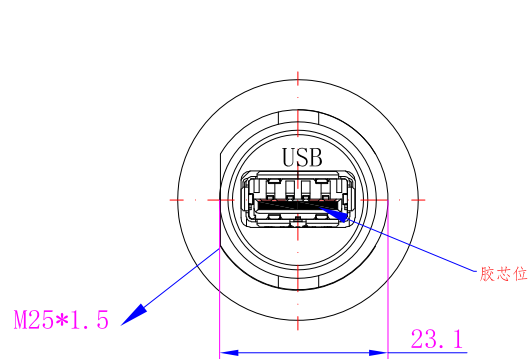
DATE

A

INITIAL RELEASED

WANG

04/24/19'



PRODUCT No.: YU-USB2-JSX-01-001

Product Type:(A~Z)

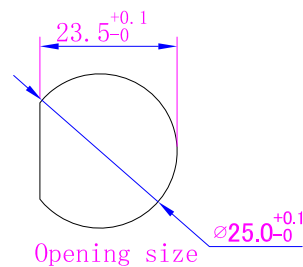
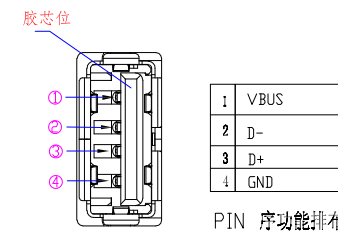
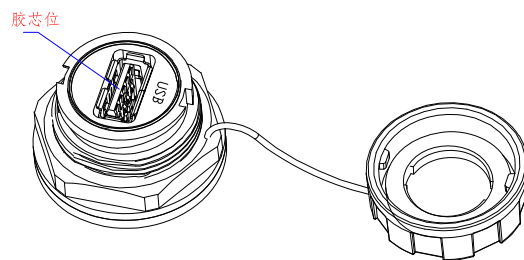
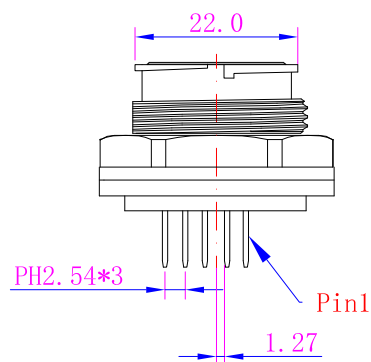
Commercial Code

Product Type: USB

Follow No

Connector Part:
P=plug
S=socket

Shell structure form:
G=with cover gasket
E=clamping cable
S=socket
H=fixed cable
R=others
X=socket



Electrical Character:
Rating voltage: 30V AC/DC
Insulation resistance: >100MΩ
Rating current: 2A
Contact resistance: ≤10mΩ

General Information:
Standard: IEC 61076-2-104
Connector Body: PA66+GF
Contacts: Phosphorus copper with Gold plating
Connector Locking System: Screw-locking
Waterproof Rating: IP67/IP68

<http://www.jh-com.com>

UNDECLARED TOLERANCE		CUS P/N:	骏慧兴业科技有限公司		
X. ±0.2	X. ° ±2.0°		Shenzhen JH-C Precision Technology CO		
.X ±0.1	.X ° ±1.0°	PART NO.:	TITLE:		
.XX ±0.05	.XX ° ±0.5°	92077-02	USB 2.0 A/F Connector		
UNITS: MM		APPD.:	DWG NO.: B00062		
THESE DRAWINGS AND SPECIFICATIONS ARE THE PROPERTY OF JH-C AND SHALL NOT BE REPRODUCED, COPIED OR USED IN ANY MANNER WITHOUT THE PRIOR WRITTEN CONSENT OF JH-C.		CHKD.:	SCALE	SHEET	REV.
		DR.:			
		HWJ_09/29/20'			

ITEM	PART NAME	DESCRIPTION	QTY	REV.
------	-----------	-------------	-----	------