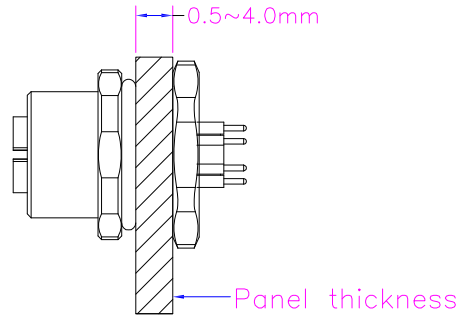
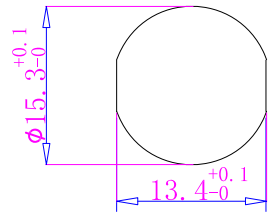
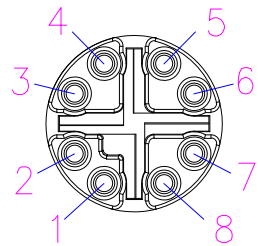
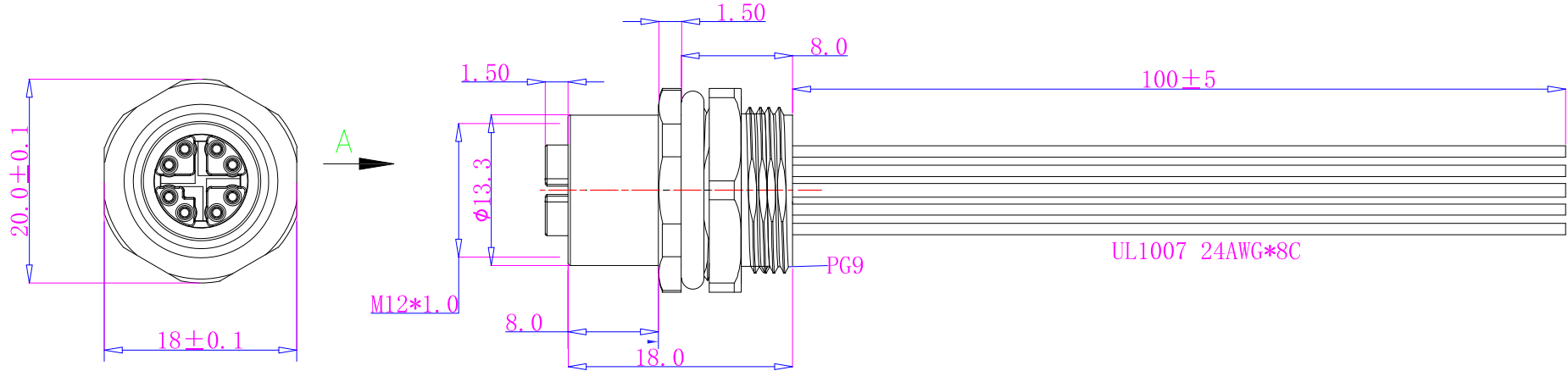


MOLD NO. RFQ NO. : XXXXXX

| REV. | DESCRIPTION | APPD. | DATE |
|------|------------------|-------|-----------|
| A | INITIAL RELEASED | WANG | 04/24/19' |



Contact connection

- 1 白 (white)
- 2 棕 (Brown)
- 3 绿 (green)
- 4 黄 (yellow)
- 5 灰 (grey)
- 6 粉红 (pink)
- 7 蓝 (blue)
- 8 红 (red)

General Specifications

Connector locking system: Screw
 Termination: Solder
 Temperature range: -25°C ~ +85°C
 Mating cycles: > 100
 Coding: A
 Degree of protection: IP67 when mated
 Contact resistance: ≤5 mΩ
 Insulation resistance: ≥100 MΩ

Materials:

Contact: Phosphor bronze
 Contact plating: Gold plated
 Contact insert: PA66+GF UL94V-0 black
 Base shell: Brass nickel plated
 Hex nut: Brass nickel plated
 Seal: NBR

Panel hole size

<http://www.jh-com.com> <http://connectors-cable.com>

| | | | | | | |
|---|------------|---------------------|---------------------------------------|-------|-------|------|
| UNDECLARED TOLERANCE | | CUS P/N: | 骏慧兴业科技有限公司 | | | |
| X. ±1.0 | X. ° ±2.0° | | Shenzhen JH-C Precision Technology CO | | | |
| .X±0.5 | .X° ±1.0° | PART NO. : | TITLE: | | | |
| .XX±0.2 | .XX° ±0.5° | 92076-01 | M12 X COED TO PCB CABLE | | | |
| UNITS: MM | | APPD. : | DWG NO. :B00061 | | | |
| THESE DRAWINGS AND SPECIFICATIONS ARE THE PROPERTY OF JH-C AND SHALL NOT BE REPRODUCED, COPIED OR USED IN ANY MANNER WITHOUT THE PRIOR WRITTEN CONSENT OF JH-C. | | CHKD. : | | SCALE | SHEET | REV. |
| | | DR. : HWJ_03/11/18' | | 1:1 | 1/1 | A |

| ITEM | PART NAME | DESCRIPTION | QTY |
|------|-----------|-------------|-----|
|------|-----------|-------------|-----|