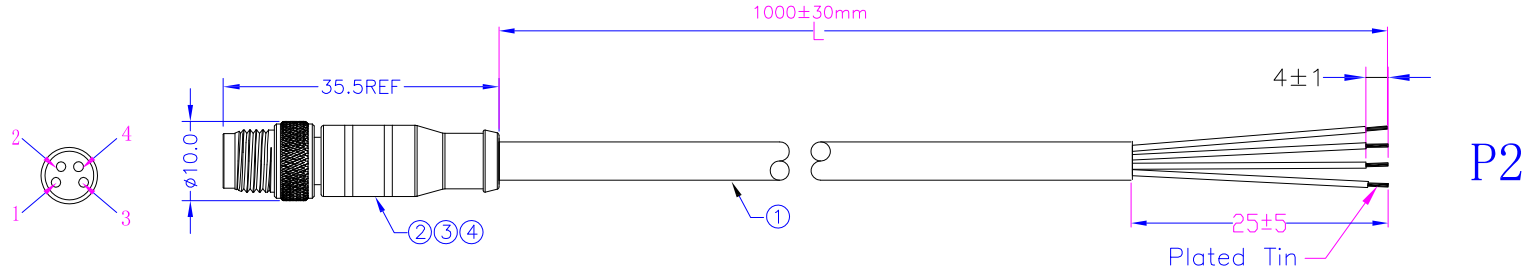


<http://connectors-cable.com>



LENGTH

Part number	L
61079-01	300±20mm
61079-02	1000±30mm
61079-03	2000±40mm
61079-04	3000±40mm
61079-05	5000±50mm
61079-06	10000±100mm

Electrical Performance:
 1.100%TESTED FOR OPENS SHORTS
 2.INSULATION RESISTANCE: 5M ohm
 3.CONNECTING RESISTANCE: 5 ohm
 4.HI-POT:DC 300V 10ms

Electrical Character
 Rating voltage: 60V AC/DC
 Insulation resistance: >100MΩ
 Rating current: 4A
 Contact resistance: ≤5mΩ

General Information
 Standard: IEC 61076-2-105
 Connector Body: PA66
 Contacts: Brass with gold plated
 Connector Locking System: Screw-locking
 Waterproof Rating: IP67/IP68

Pin Out

J1	COLOR	J2
1	BROWN	1
2	WHITE	2
3	BLUE	3
4	BLACK	4

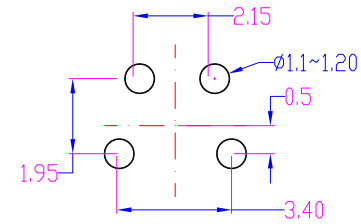
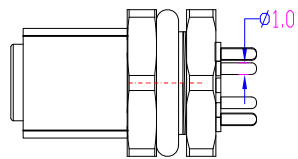
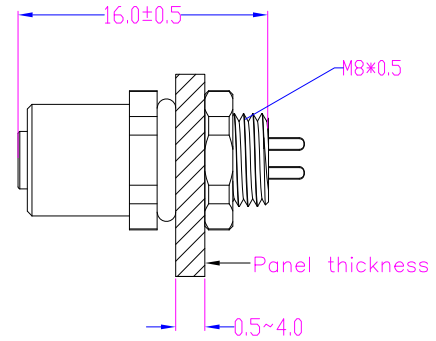
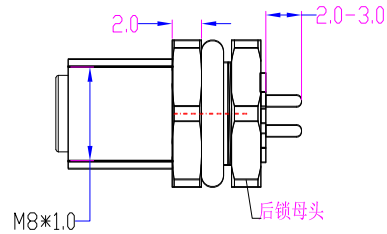
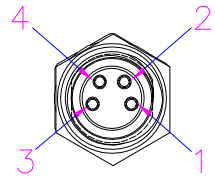
<http://www.jh-com.com>

				UNDECLARED TOLERANCE		CUS P/N:		骏慧兴业科技有限公司 Shenzhen JH-C Precision Technology CO		
④		45p BLACK PVC -40°C~+105°C	8g	X. ±1.0	X. ° ±2.0°					
③		Screw 10.0*10.0mm Brass with nickel plated	2pcs	.X±0.5	.X° ±1.0°	PART NO. :		TITLE:		
②		M8 A Coding 4pin male connector	2SET	.XX±0.2	.XX° ±0.5°	61079-XX		M8/M 4PIN CABLE		
①		22AWG*4C+F JACKET Blcak PVC CABLE OD=5.0mm -40°C~+105°C	A/N	UNITS: MM		APPD. :		DWG NO. : A0053		
				THESE DRAWINGS AND SPECIFICATIONS ARE THE PROPERTY OF JH-C AND SHALL NOT BE REPRODUCED,COPIED OR USED IN ANY MANNER WITHOUT THE PRIOR WRITTEN CONSENT OF JH-C.		CHKD. :		SCALE SHEET REV.		
ITEM	PART NAME	DESCRIPTION		QTY	DR. : HWJ_03/11/18'		1:1		1/1	A

MOLD NO. RFQ NO.: XXXXXX

REV.	DESCRIPTION	APPD.	DATE
A	INITIAL RELEASED	WANG	05/29/19'

<http://connectors-cable.com>



RECOMMENDED P.C.B LAYOUT

PCB mounting hole positioning ruler

Electrical Character
 Rating voltage: 30V AC/DC
 Insulation resistance: >100MΩ
 Rating current: 4A
 Contact resistance: ≤5mΩ

General Information
 Standard: IEC 61076-2-104
 Connector Body: PA66
 Contacts: Brass with gold plated
 Connector Locking System: Screw-locking
 Waterproof Rating: IP67/IP68

Electrical Performance:
 1.100%TESTED FOR OPENS SHORTS
 2.INSULATION RESISTANCE: 5M ohm
 3.CONNECTING RESISTANCE: 5 ohm
 4.HI-POT:DC 300V 10ms

<http://www.jh-com.com>

UNDECLARED TOLERANCE		CUS P/N:	骏慧兴业科技有限公司 Shenzhen JH-C Precision Technology CO
X. ±0.3	X. ° ±2.0°		
.X ±0.1	.X° ±1.0°	PART NO.:	TITLE: M8 4Pin F PCB 连接器
.XX ±0.05	.XX° ±0.5°	92074-01	

①	CONNETOR	M8 /F 4pin	1PCS	UNITS: MM	APPD.:	DWG NO. : B00059			
			A/N	THESE DRAWINGS AND SPECIFICATIONS ARE THE PROPERTY OF JH-C AND SHALL NOT BE REPRODUCED, COPIED OR USED IN ANY MANNER WITHOUT THE PRIOR WRITTEN CONSENT OF JH-C.	CHKD.:		SCALE	SHEET	REV.
ITEM	PART NAME	DESCRIPTION	QTY		DR.:	HWJ_05/29/19'	1:1	1/1	A