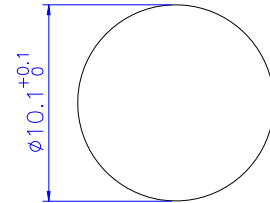
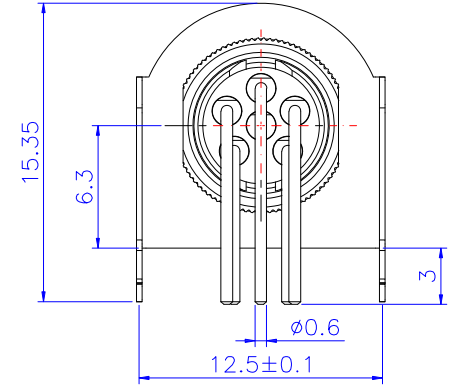
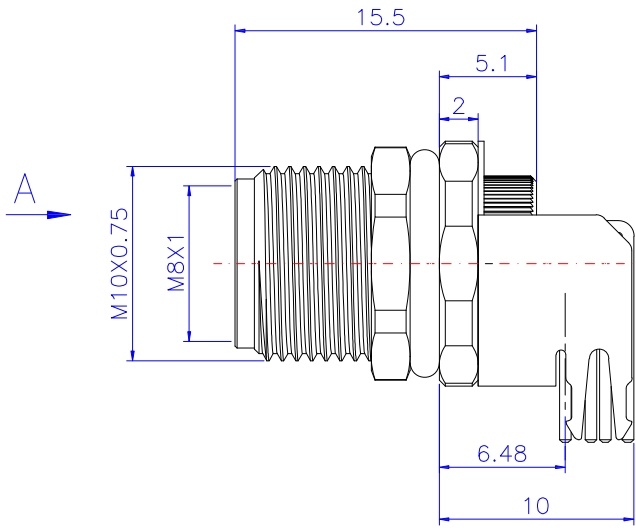
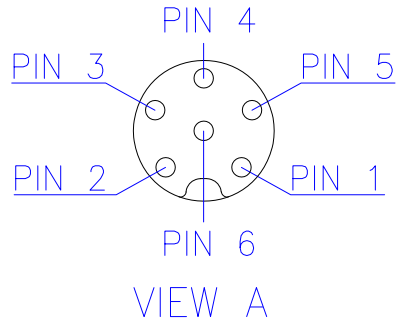
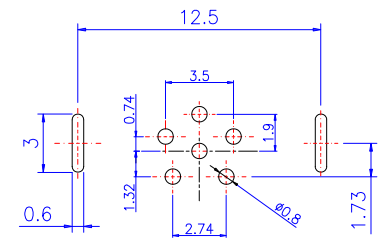


MOLD NO. RFQ NO.: XXXXXX

REV.	DESCRIPTION	APPD.	DATE
A	INITIAL RELEASED	WANG	04/24/19'



BOARD END HOLE OPENING SIZE



RECOMMENDED P.C.B LAYOUT

Specifications

Connector locking system: Screw
Termination: Dip Solder
Temperature range: -25°C ~ +80°C
Machanical mating: > 100
Contact resistance: ≤5mΩ
Insulation resistance: >100 MΩ
Contact material: CuZn gold plated over
Insert material: PA66+GF
Screw nut material: CuZn nickel plated
Panel seal: NBR black

<http://www.jh-com.com> <http://connectors-cable.com>

UNDECLARED TOLERANCE		CUS P/N:	骏慧兴业科技有限公司		
X. ±1.0	X. ° ±2.0°		Shenzhen JH-C Precision Technology CO		
.X ±0.5	.X° ±1.0°	PART NO.:	TITLE:		
.XX ±0.2	.XX° ±0.5°	92035-XX	M8 6Pin 母头板端前锁螺母		
UNITS: MM		APPD.:	DWG NO.:		
THESE DRAWINGS AND SPECIFICATIONS ARE THE PROPERTY OF JH-C AND SHALL NOT BE REPRODUCED, COPIED OR USED IN ANY MANNER WITHOUT THE PRIOR WRITTEN CONSENT OF JH-C.		CHKD.:	SCALE SHEET REV.		
		DR.:	1:1 1/1 A		
		HWJ_03/11/18'			

ITEM	PART NAME	DESCRIPTION	QTY
------	-----------	-------------	-----