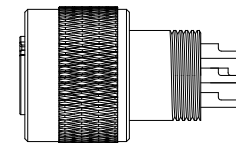
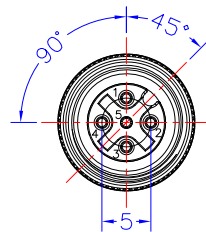
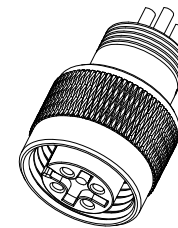
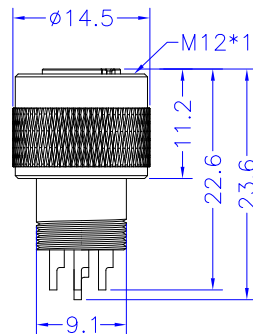


MOLD NO? RFQ NO: XXXXXX

REV.	DESCRIPTION	APPD.	DATE
A	INITIAL RELEASED	WANG	11/09/19'



Electrical Character:  
 Rating voltage: 60V AC/DC  
 Insulation resistance: >100MΩ  
 Rating current: 4A  
 Contact resistance: ≤5mΩ

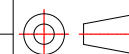
General Information:  
 Standard: IEC 61076-2-101  
 Connector Body: TPU  
 Contacts: Phosphorus copper with Gold plating  
 Connector Locking System: Screw-locking  
 Ambient Temperature: -25° C~+85° C  
 Waterproof Rating: IP67/IP68

<http://www.jh-com.com> <http://connectors-cable.com>

UNDECLARED TOLERANCE		CUS P/N:	骏慧兴业科技有限公司 Shenzhen JH-C Precision Technology CO		
X.±1.0	X.*±2.0°	PART NO.:	TITLE: M12 A Coding 5Pin female solder connector		
.X±0.5	.X*±1.0°				
.XX±0.2	.XX*±0.5°	92041-01			

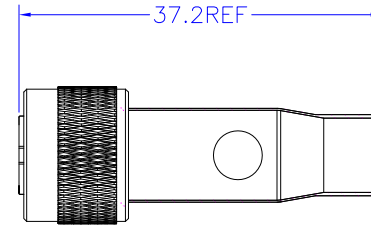
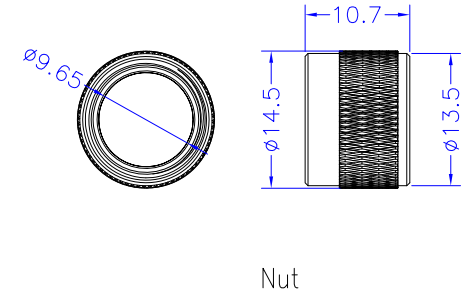
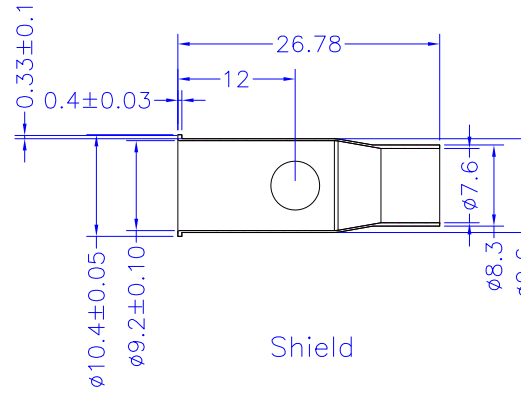
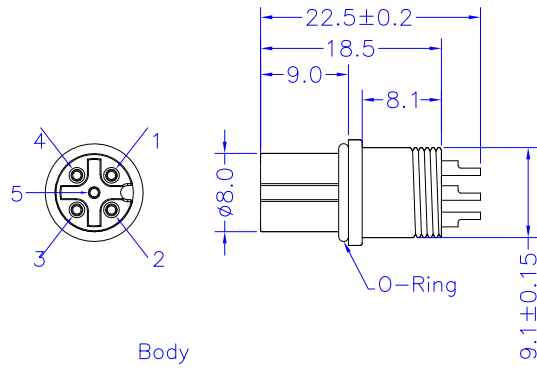
③	Nut 14.5*10.7mm Brass with nickel plated	1PCS	
②	Green Fluorine rubber ring Ø7*1.0mm	1PCS	
①	M12 A Coding 5pin female connector	1PCS	
ITEM	PART NAME	DESCRIPTION	QTY

THESE DRAWINGS AND SPECIFICATIONS ARE THE PROPERTY OF JH-C AND SHALL NOT BE REPRODUCED, COPIED OR USED IN ANY MANNER WITHOUT THE PRIOR WRITTEN CONSENT OF JH-C.	CHKD.:	DR.:	HWJ_09/11/19'	SCALE	SHEET	REV.
				1:1	1/1	A



MOLD NO? RFQ NO: XXXXXX

REV.	DESCRIPTION	APPD.	DATE
A	INITIAL RELEASED	WANG	11/09/19'



Electrical Character:  
 Rating voltage: 60V AC/DC  
 Insulation resistance: >100MΩ  
 Rating current: 4A  
 Contact resistance: ≤5mΩ

General Information:  
 Standard: IEC 61076-2-101  
 Connector Body: TPU  
 Contacts: Phosphorus copper with Gold plating  
 Connector Locking System: Screw-locking  
 Ambient Temperature: -25° C~+85° C  
 Waterproof Rating: IP67/IP68

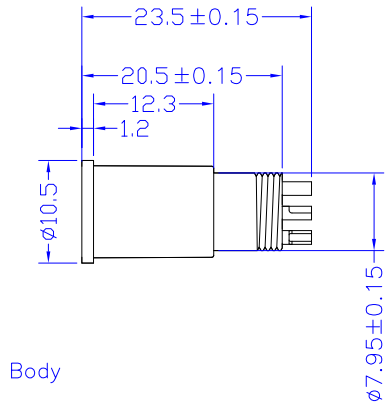
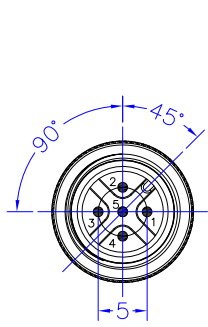
<http://www.jh-com.com> <http://connectors-cable.com>

UNDECLARED TOLERANCE		CUS P/N:		骏慧兴业科技有限公司 Shenzhen JH-C Precision Technology CO					
X.±1.0	X.*±2.0°	PART NO.: 92041-02		TITLE: M12 A Coding 5Pin female solder connector with shield					
.X±0.5	.X*±1.0°								
③	Nut 14.5*10.7mm Brass with nickel plated	1PCS	.XX±0.2	.XX*±0.5°					
②	Green Fluorine rubber ring Ø7*1.0mm	1PCS	UNITS: MM		APPD.:	DWG NO.:			
①	M12 A Coding 5pin female connector	1PCS	THESE DRAWINGS AND SPECIFICATIONS ARE THE PROPERTY OF JH-C AND SHALL NOT BE REPRODUCED, COPIED OR USED IN ANY MANNER WITHOUT THE PRIOR WRITTEN CONSENT OF JH-C.		CHKD.:		SCALE	SHEET	REV.
ITEM	PART NAME	DESCRIPTION			QTY		DR.:	HWJ_09/11/19'	1:1

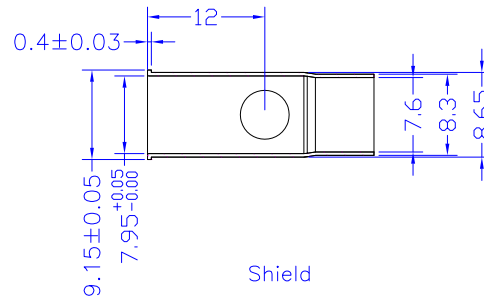
③	Nut 14.5*10.7mm Brass with nickel plated	1PCS	
②	Green Fluorine rubber ring Ø7*1.0mm	1PCS	
①	M12 A Coding 5pin female connector	1PCS	
ITEM	PART NAME	DESCRIPTION	QTY

MOLD NO? RFQ NO: XXXXXX

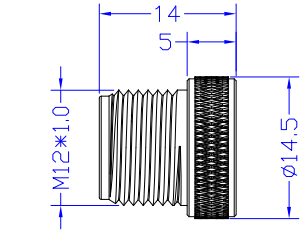
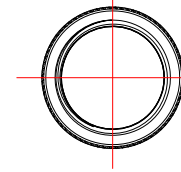
REV.	DESCRIPTION	APPD.	DATE
A	INITIAL RELEASED	WANG	11/09/19'



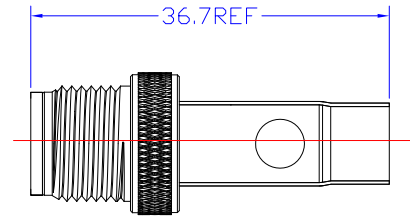
Body



Shield



Screw



Electrical Character:  
 Rating voltage: 60V AC/DC  
 Insulation resistance: >100MΩ  
 Rating current: 4A  
 Contact resistance: ≤5mΩ

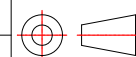
General Information:  
 Standard: IEC 61076-2-101  
 Connector Body: TPU  
 Contacts: Phosphorus copper with Gold plating  
 Connector Locking System: Screw-locking  
 Ambient Temperature: -25° C~+85° C  
 Waterproof Rating: IP67/IP68

<http://www.jh-com.com> <http://connectors-cable.com>

UNDECLARED TOLERANCE		CUS P/N:	骏慧兴业科技有限公司 Shenzhen JH-C Precision Technology CO		
X.±1.0	X.*±2.0°	PART NO.: 92040-02	TITLE: M12 A Coding 5Pin male solder connector with shield		
.X±0.5	.X*±1.0°				
.XX±0.2	.XX*±0.5°				

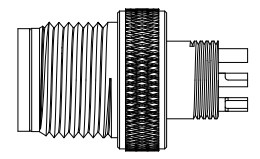
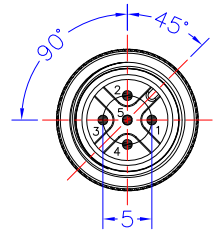
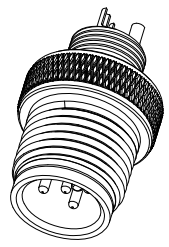
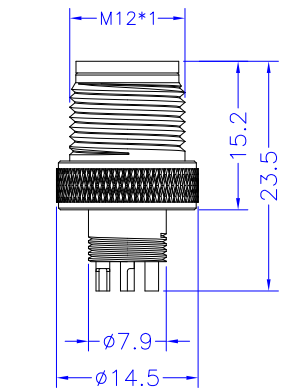
②	Nut 14.5*10.7mm Brass with nickel plated	1PCS	
①	M12 A Coding 5pin male connector	1PCS	
ITEM	PART NAME	DESCRIPTION	QTY

UNITS: MM		APPD.:	DWG NO.: B00024		
THESE DRAWINGS AND SPECIFICATIONS ARE THE PROPERTY OF JH-C AND SHALL NOT BE REPRODUCED, COPIED OR USED IN ANY MANNER WITHOUT THE PRIOR WRITTEN CONSENT OF JH-C.		CHKD.:	SCALE	SHEET	REV.
		DR.: HWJ_09/11/19'	1:1	1/1	A



MOLD NO? RFQ NO.: XXXXXX


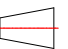
REV.	DESCRIPTION	APPD.	DATE
A	INITIAL RELEASED	WANG	11/09/19'



Electrical Character:  
 Rating voltage: 60V AC/DC  
 Insulation resistance: >100MΩ  
 Rating current: 4A  
 Contact resistance: ≤5mΩ

General Information:  
 Standard: IEC 61076-2-101  
 Connector Body: TPU  
 Contacts: Phosphorus copper with Gold plating  
 Connector Locking System: Screw-locking  
 Ambient Temperature: -25° C~+85° C  
 Waterproof Rating: IP67/IP68

<http://www.jh-com.com>    <http://connectors-cable.com>

UNDECLARED TOLERANCE		CUS P/N:		骏慧兴业科技有限公司 Shenzhen JH-C Precision Technology CD		
X.±1.0	X.°±2.0°					
.X±0.5	.X°±1.0°	PART NO.:		TITLE: M12 A Coding 5Pin male solder connector		
.XX±0.2	.XX°±0.5°	92040-01				
UNITS: MM		APPD.:		DWG NO.: B00023		
THESE DRAWINGS AND SPECIFICATIONS ARE THE PROPERTY OF JH-C AND SHALL NOT BE REPRODUCED, COPIED OR USED IN ANY MANNER WITHOUT THE PRIOR WRITTEN CONSENT OF JH-C.		CHKD.:		  SCALE SHEET REV. 1:1 1/1 A		
		DR.:				

②	Nut 14.5*10.7mm Brass with nickel plated	1PCS	
①	M12 A Coding 5pin male connector	1PCS	
ITEM	PART NAME	DESCRIPTION	QTY