

1	2	3	4	5	6	7	8	
MOLD NO.		RFQ NO.: XXXXXX			REV.	DESCRIPTION	APPD.	DATE
					A	INITIAL RELEASED	WANG	04/24/19'

Detailed Product Description:

Waterproof connector rating is IP68(Behind the I
They can not be used permanently under water.

Connector Electrical character

Rating voltage: IEC ,

Insulation resistance: >100MΩ

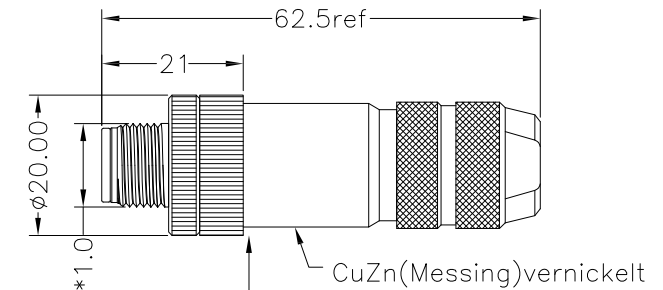
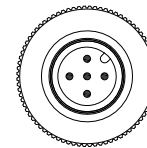
Rating current : IEC

Contact resistance of connector ≤5mΩ

Mechanical characteristics: mating / cycle >100

Operating temperature: -40°C ~ +85°

*ALL MATERIALS ARE RoHS COMPLIANT.



TERMINATION:SCREW

WIRE GAUGE IN AWG:18AWG~24AWG

Material description:

Contact PIN: Brass with Gold plating.

Coupling nut/screw: Brass with nickel plating

Insulation plastic: PA66+GF

Electrical character

Prder No	Part Number	Contacts	Rated voltage		Rated current	Cable OD (mm)
			A/C	D/C		
92038-03	ASM12FAM03005		250V	250V	4A	5~8
92038-04	ASM12FAM04005		250V	250V	4A	5~8
92038-05	ASM12FDM04005		250V	250V	4A	5~8
92039-06	ASM12FAM05005		60V	60V	4A	5~8
92039-07	ASM12FBM05005		60V	60V	4A	5~8
92039-08	ASM12FAM08005		30V	30V	2A	5~8

<http://www.jh-com.com>

<http://connectors-cable.com>

UNDECLARED TOLERANCE		CUS P/N:	骏慧兴业科技有限公司		
X. ±1.0	X. ° ±2.0°		Shenzhen JH-C Precision Technology CO		
.X ±0.5	.X° ±1.0°	PART NO.:	TITLE: M12 A-Coding 3 Pins		
.XX ±0.2	.XX° ±0.5°	92037-XX	Male Straight Assembly		
UNITS: MM		APPD.:	DWG NO. : B00021		
THESE DRAWINGS AND SPECIFICATIONS ARE THE PROPERTY OF JH-C AND SHALL NOT BE REPRODUCED, COPIED OR USED IN ANY MANNER WITHOUT THE PRIOR WRITTEN CONSENT OF JH-C.		CHKD.:		SCALE	SHEET
		DR. : HWJ_08/28/19'		1:1	1/1
					REV. A

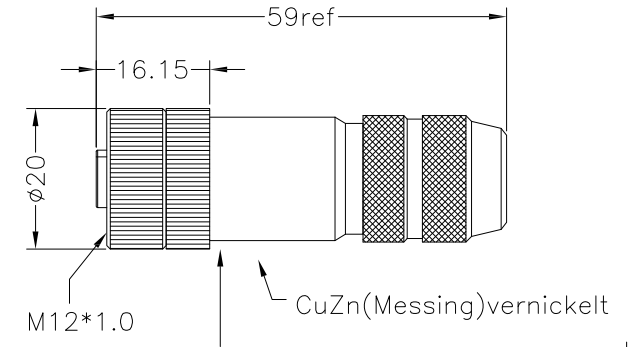
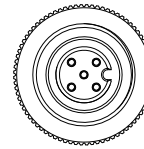
ITEM	PART NAME	DESCRIPTION	QTY
------	-----------	-------------	-----

1 MOLD NO.		2 RFQ NO.: XXXXXX		3		4		5		6 REV. A		7 DESCRIPTION INITIAL RELEASED		8 APPD. WANG		9 DATE 04/24/19'	
------------	--	-------------------	--	---	--	---	--	---	--	----------	--	--------------------------------	--	--------------	--	------------------	--

Detailed Product Description:
Waterproof connector rating is IP68(Behind the I
They can not be used permanently under water.

Connector Electrical character
Rating voltage: IEC ,
Insulation resistance: >100MΩ
Rating current : IEC
Contact resistance of connector ≤5mΩ
Mechanical characteristics: mating / cycle >100
Operating temperature: -40°C ~ +85°

*ALL MATERIALS ARE RoHS COMPLIANT.



TERMINATION:SCREW
WIRE GAUGE IN AWG:18AWG~24AWG

Material description:
Contact PIN: Brass with Gold plating.
Coupling nut/screw: Brass with nickel plating
Insulation plastic: PA66+GF

Electrical character

Prder No	Part Number	Contacts	Rated voltage		Rated current	Cable OD (mm)
			A/C	D/C		
92039-03	ASM12FAM03005		250V	250V	4A	5~8
92039-04	ASM12FAM04005		250V	250V	4A	5~8
92039-05	ASM12FDM04005		250V	250V	4A	5~8
92039-06	ASM12FAM05005		60V	60V	4A	5~8
92039-07	ASM12FBM05005		60V	60V	4A	5~8
92039-08	ASM12FAM08005		30V	30V	2A	5~8

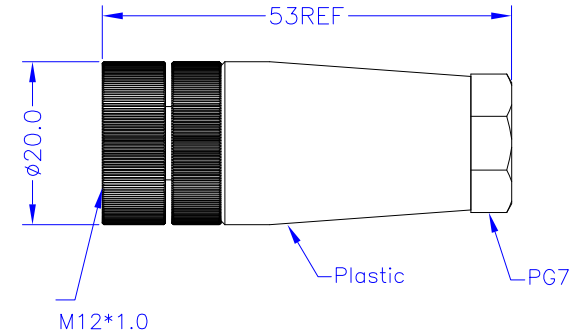
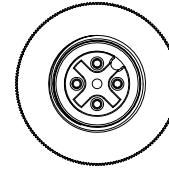
<http://www.jh-com.com> <http://connectors-cable.com>

UNDECLARED TOLERANCE		CUS P/N:	骏慧兴业科技有限公司			
X. ±1.0	X. ° ±2.0°		Shenzhen JH-C Precision Technology CO			
.X±0.5	.X° ±1.0°	PART NO. : 92038-XX	TITLE: M12 A-Coding x Pins Female Straight Assembly			
.XX±0.2	.XX° ±0.5°					
UNITS: MM		APPD. :	DWG NO. : B00022			
THESE DRAWINGS AND SPECIFICATIONS ARE THE PROPERTY OF JH-C AND SHALL NOT BE REPRODUCED, COPIED OR USED IN ANY MANNER WITHOUT THE PRIOR WRITTEN CONSENT OF JH-C.		CHKD. :		SCALE	SHEET	REV.
		DR. : HWJ_08/28/19'		1:1	1/1	A

1 ITEM	2 PART NAME	3 DESCRIPTION	4	5 QTY	6	7	8	9
--------	-------------	---------------	---	-------	---	---	---	---

MOLD NO. RFQ NO.: XXXXXX

REV.	DESCRIPTION	APPD.	DATE
A	INITIAL RELEASED	WANG	04/24/19'



Electrical character

Part No	Part Number	Contacts	Rated voltage		Rated current	Cable OD (mm)
			A/C	D/C		
92036-03	ASM12FAM03005		250V	250V	4A	5~8
92036-04	ASM12FAM04005		250V	250V	4A	5~8
92036-05	ASM12FDM04005		250V	250V	4A	5~8
92036-06	ASM12FAM05005		60V	60V	4A	5~8
92036-07	ASM12FBM05005		60V	60V	4A	5~8
92036-08	ASM12FAM08005		30V	30V	2A	5~8

Electrical Character
 Rating voltage: 60V AC/DC
 Insulation resistance: >100MΩ
 Rating current: 4A
 Contact resistance: ≤5mΩ

General Information
 Standard: IEC 61076-2-101
 Connector Body: PA66+GF
 Contacts: Phosphorus copper with gold plated
 Connector Locking System: Screw-locking
 Ambient Temperature: -25°C~+85°C
 Waterproof Rating: IP67/IP68

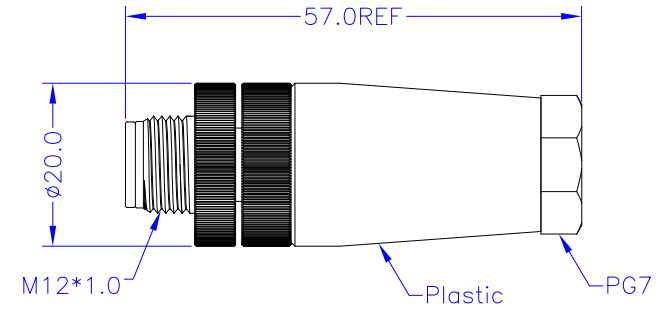
<http://www.jh-com.com> <http://connectors-cable.com>

UNDECLARED TOLERANCE		CUS P/N:	骏慧兴业科技有限公司	
X. ±1.0	X. ° ±2.0°	92036-xx	Shenzhen JH-C Precision Technology CO	
.X±0.5	.X° ±1.0°	PART NO.:	TITLE:	
.XX±0.2	.XX° ±0.5°	B00019	M12 组装机 A型 母头	

③	Screw Brass with nickel plated	IPC	
②	Black Fluorine rubber ring	IPC	
①	M12 A Coding 5pin Female connector	IPC	
ITEM	PART NAME	DESCRIPTION	QTY

UNITS: MM		APPD.:	DWG NO.:			
THESE DRAWINGS AND SPECIFICATIONS ARE THE PROPERTY OF JH-C AND SHALL NOT BE REPRODUCED, COPIED OR USED IN ANY MANNER WITHOUT THE PRIOR WRITTEN CONSENT OF JH-C.		CHKD.:		SCALE	SHEET	REV.
		DR.:	HWJ_03/11/18'	1:1	1/1	A

1	2	3	4	5	6	7	8	
MOLD NO.		RFQ NO.: XXXXXX			REV.	DESCRIPTION	APPD.	DATE
					A	INITIAL RELEASED	WANG	04/24/19'



Electrical character

Prder No	Part Number	Contacts	Rated voltage		Rated current	Cable OD (mm)
			A/C	D/C		
92037-03	ASM12FAM03005		250V	250V	4A	5~8
92037-04	ASM12FAM04005		250V	250V	4A	5~8
92037-05	ASM12FDM04005		250V	250V	4A	5~8
92037-06	ASM12FAM05005		60V	60V	4A	5~8
92037-07	ASM12FBM05005		60V	60V	4A	5~8
92037-08	ASM12FAM08005		30V	30V	2A	5~8

Electrical Character
 Rating voltage: 60V AC/DC
 Insulation resistance: >100MΩ
 Rating current: 4A
 Contact resistance: ≤5mΩ

General Information
 Standard: IEC 61076-2-101
 Connector Body: PA66+GF
 Contacts: Brass with gold plated
 Connector Locking System: Screw-locking
 Ambient Temperature: -25°C~+85°C
 Waterproof Rating: IP67/IP68

<http://www.jh-com.com> <http://connectors-cable.com>

UNDECLARED TOLERANCE		CUS P/N:	骏慧兴业科技有限公司
X. ±1.0	X. ° ±2.0°	92037-xx	Shenzhen JH-C Precision Technology CO
.X ±0.5	.X ° ±1.0°	PART NO.:	TITLE:
.XX ±0.2	.XX ° ±0.5°	B00020	M12 组装式 A型 公头

③	Screw Brass with nickel plated	PC	
②	Black Fluorine rubber ring	PC	
①	M12 A Coding 5pin male connector	PC	
ITEM	PART NAME	DESCRIPTION	QTY

UNITS: MM		APPD.:	DWG NO.:			
THESE DRAWINGS AND SPECIFICATIONS ARE THE PROPERTY OF JH-C AND SHALL NOT BE REPRODUCED, COPIED OR USED IN ANY MANNER WITHOUT THE PRIOR WRITTEN CONSENT OF JH-C.		CHKD.:		SCALE	SHEET	REV.
		DR.:	HWJ_03/11/18'	1:1	1/1	A