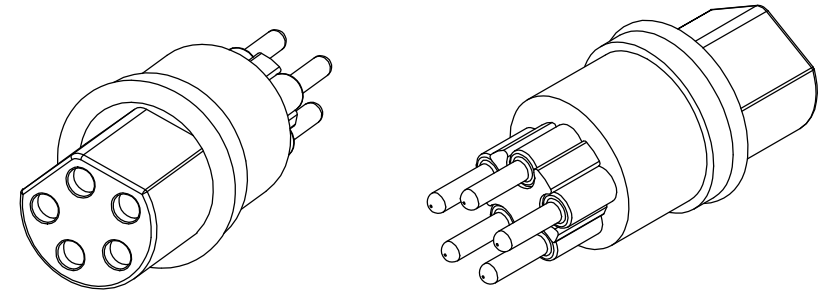
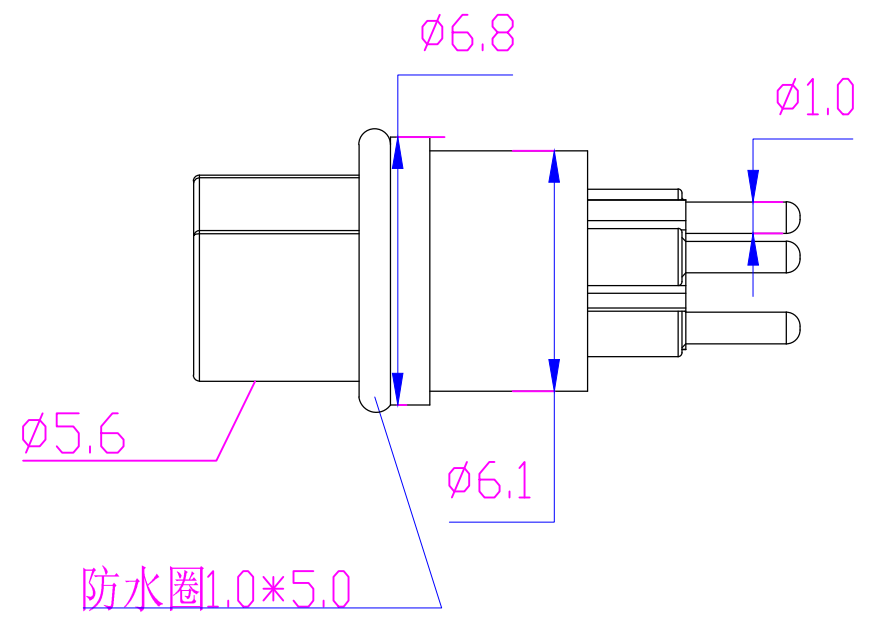
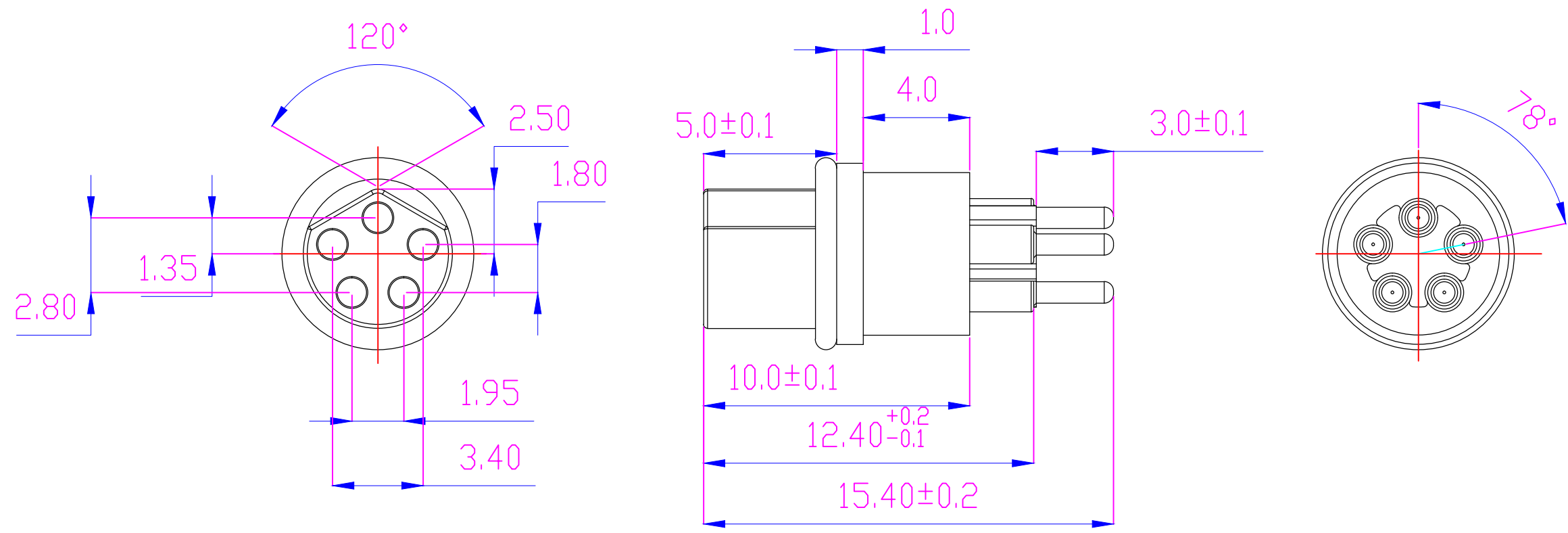


REV.	DESCRIPTION	APPD.	DATE
A	INITIAL RELEASED	WANG	04/24/19'

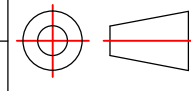


Electrical Character
 Rating voltage: 30V AC/DC
 Insulation resistance: >100M Ω
 Rating current: 2A
 Contact resistance: $\leq 5m\Omega$

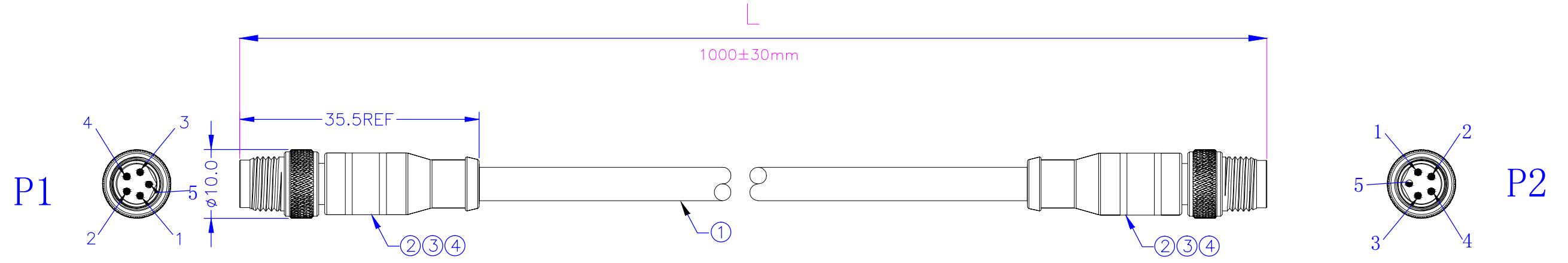
General Information
 Standard: IEC 61076-2-104
 Connector Body: PA66
 Contacts: Brass with gold plated
 Connector Locking System: Screw-locking
 Waterproof Rating: IP67/IP68

Electrical Performance:
 1.100%TESTED FOR OPENS SHORTS
 2.INSULATION RESISTANCE: 5M ohm
 3.CONNECTING RESISTANCE: 5 ohm
 4.HI-POT:DC 300V 10ms

<http://www.jh-com.com> <http://connectors-cable.com>

UNDECLARED TOLERANCE		CUS P/N:	骏慧兴业科技有限公司 Shenzhen JH-C Precision Technology CO			
X. ± 0.5	X. $^{\circ} \pm 2.0^{\circ}$					
.X ± 0.1	.X $^{\circ} \pm 1.0^{\circ}$					
.XX ± 0.05	.XX $^{\circ} \pm 0.5^{\circ}$	PART NO. : 92064-01	TITLE: M5 PCB 板端连接器 B 5PIN 母头			
UNITS: MM		APPD. :	DWG NO. :			
THESE DRAWINGS AND SPECIFICATIONS ARE THE PROPERTY OF JH-COM AND SHALL NOT BE REPRODUCED, COPIED OR USED IN ANY MANNER WITHOUT THE PRIOR WRITTEN CONSENT OF JH-COM.		CHKD. :		SCALE	SHEET	REV.
		DR. : HWJ_03/11/18'		1:1	1/1	A

ITEM	PART NAME	DESCRIPTION	QTY
1			
2			
3			
4			



LENGTH

Part number	L
61054-01	300±20mm
61054-02	1000±30mm
61054-03	2000±40mm
61054-04	3000±40mm
61054-05	5000±50mm
61054-06	10000±100mm

Electrical Character
 Rating voltage: 60V AC/DC
 Insulation resistance: >100MΩ
 Rating current: 1A
 Contact resistance: ≤5mΩ

General Information
 Standard: IEC 61076-2-105
 Connector Body: PA66
 Contacts: Brass with gold plated
 Connector Locking System: Screw-locking
 Waterproof Rating: IP67/IP68

Electrical Performance:
 1.100%TESTED FOR OPENS SHORTS
 2.INSULATION RESISTANCE: 5M ohm
 3.CONNECTING RESISTANCE: 5 ohm
 4.HI-POT:DC 300V 10ms

Pin Out

J1	COLOR	J2
1	BROWN	1
2	WHITE	2
3	BLUE	3
4	BLACK	4
5	gray	5

<http://www.jh-com.com>

ITEM	PART NAME	DESCRIPTION	QTY	UNDECLARED TOLERANCE	CUS P/N:	骏慧兴业科技有限公司 Shenzhen JH-C Precision Technology CO			
④		85A BLACK TPU -40°C~+105°C	8g	X. ±1.0 X. ° ±2.0°	PART NO. : 61073-XX	TITLE: M5/M 5PIN CABLE			
③		Screw 10.0*10.0mm Brass with nickel plated	2pcs	.X±0.5 .X° ±1.0°					
②		M8 A Coding 5pin male connector	2SET	.XX±0.2 .XX° ±0.5°					
①		24AWG*4C+F JACKET gray PVC CABLE OD=4.6mm -40°C~+105°C	A/N	UNITS: MM	APPD. :	DWG NO. : A00048			
				THESE DRAWINGS AND SPECIFICATIONS ARE THE PROPERTY OF JH-C AND SHALL NOT BE REPRODUCED, COPIED OR USED IN ANY MANNER WITHOUT THE PRIOR WRITTEN CONSENT OF JH-C.	CHKD. :		SCALE	SHEET	REV.
				DR. : HWJ_03/11/18'			1:1	1/1	A